

CMI-MMPP4020MH-SERIES

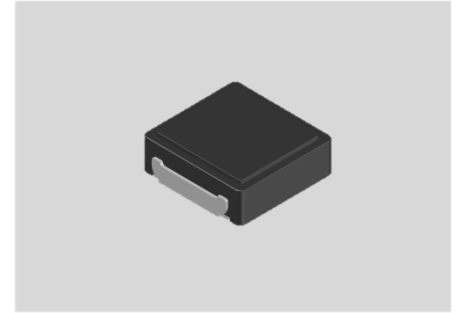


Features

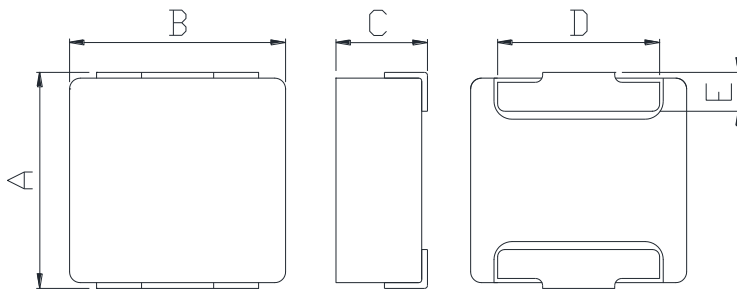
- ▶ Small size, high current and low profile.
- ▶ Metal powder molding type for EMC protection.
- ▶ Available tape and reel for auto insertion.
- ▶ RoHS compliant.
- ▶ Halogen-Free

Applications

- ▶ For DC/DC converter, AV equipment, digital consumer electronics.

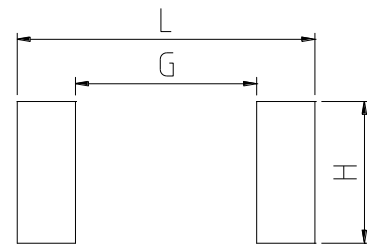


Dimension (Unit:mm)



A	B	C	D	E
4.0±0.2	4.0±0.2	2.0 Max	2.0±0.2	0.8±0.1

Land Pattern (Unit:mm)



L	G	H
4.6	2.8	2.2

Specifications

Part Number	Inductance (uH) ±20%	DCR(mohm) Max(Typ)	IDC1(A) Max(Typ)	IDC2(A) Max(Typ)	Test Frequency (Hz)
CMI-MMPP4020MH-1R0M	1.0	36(30)	7.40(8.00)	4.60(5.10)	1M
CMI-MMPP4020MH-2R2M	2.2	57.6(48)	5.80(6.40)	3.70(4.00)	1M
CMI-MMPP4020MH-3R3M	3.3	72(60)	5.00(5.60)	2.90(3.20)	1M
CMI-MMPP4020MH-4R7M	4.7	120(100)	3.90(4.30)	2.40(2.70)	1M
CMI-MMPP4020MH-100M	10	216(180)	2.50(2.80)	1.90(2.10)	1M

- IDC1: When based on the inductance change rate (approximately 30% below in the initial value)
- IDC2: When based on the temperature increase (Temperature increase of approximately 40°C by self heating)
- Operating Temperature Range(including self temperature) : -40°C ~ +125 °C

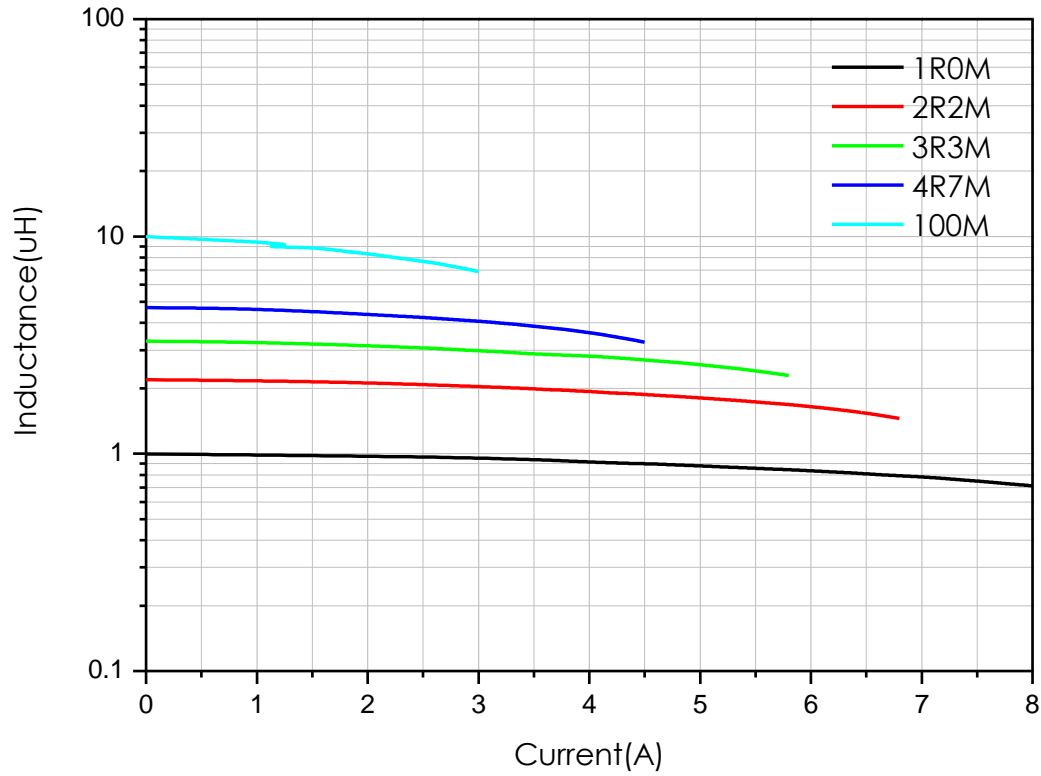
Note 1 : Circuit design, component placement, PCB trace size and thickness, airflow and other cooling. Provision all affect the part Temperature. Part temperature should be verified in the end application.

• You can also contact us by e-mail : coilmaster@coilmaster.com

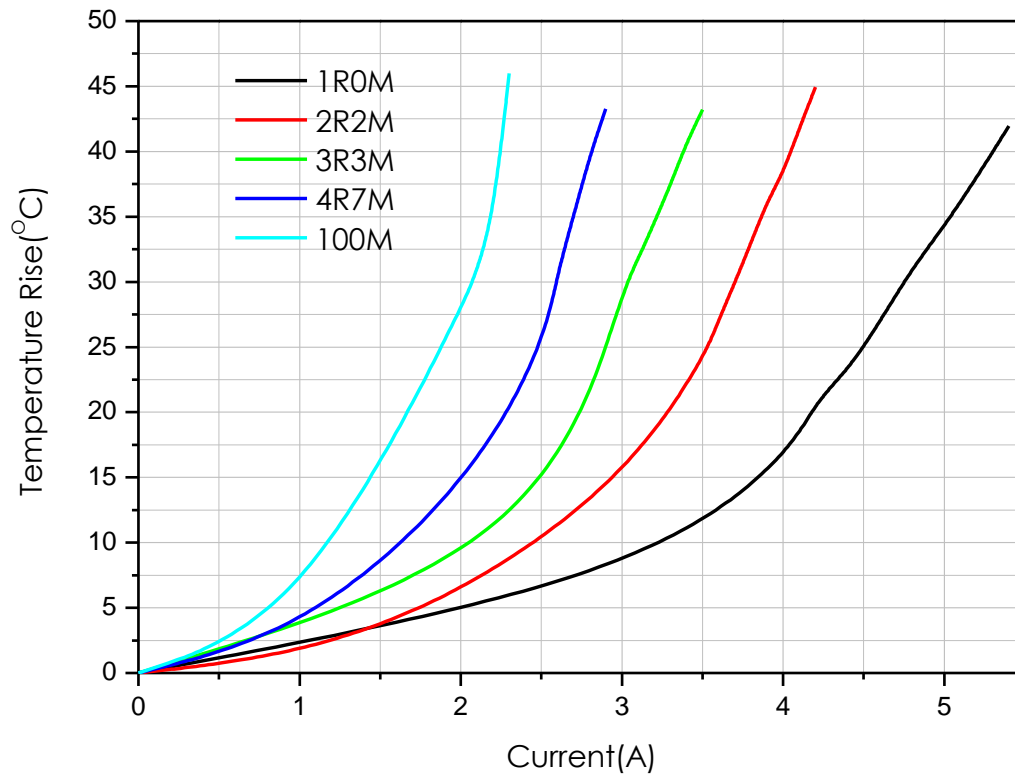
- All specifications are subject to change without notice.
- Update date : 2019.12.09

www.coilmaster.com

DC BIAS vs INDUCTANCE



DC BIAS vs TEMPERATURE

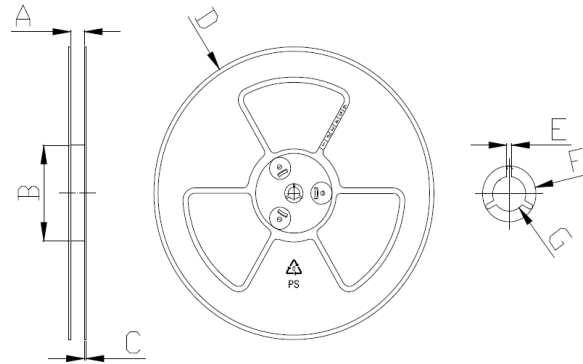


- You can also contact us by e-mail : coilmaster@coilmaster.com
- All specifications are subject to change without notice.
- Update date : 2019.12.09

Packaging

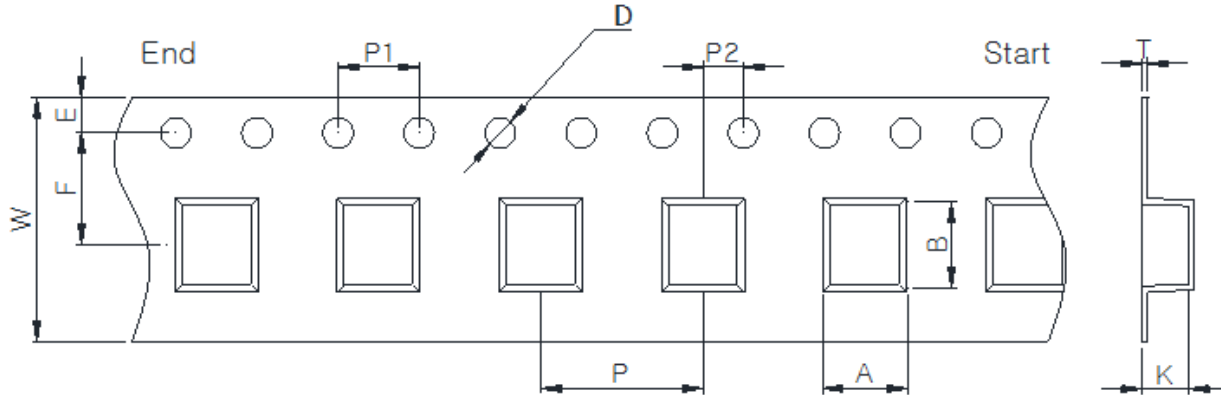
(1) Package quantity : 3,000 (pcs/reel)

(2) Reel Dimensions (unit:mm)



A	B	C	D	E	F	G
12.50	100.0	2.00	330.0	1.90	21.00	13.00
+1.00	+1.50	+0.10	+1.00	+0.40	+0.40	+0.40
-1.00	-1.50	-0.10	-1.00	-0.40	-0.40	-0.40

(3) Tape Dimensions



W	A	B	K	E	F	P	P1	P2	D	T
12.00	4.30	4.30	2.20	1.75	5.50	8.00	4.00	2.00	1.50	0.30
+0.10	+0.10	+0.10	+0.10	+0.10	+0.10	+0.10	+0.10	+0.10	+0.10	+0.05
-0.10	-0.10	-0.10	-0.10	-0.10	-0.10	-0.10	-0.10	-0.10	-0.00	-0.05

Ilsan Sales Office (KOREA) +82)31-904-1444
 Shenzhen Sales Office (CHINA) +86)755-8663-6929
 Hungary Sales office (EUROPE) +36)30-913-7706

H.K Sales Office (HONGKONG) +852)2711-5551
 LA Sales Office (USA) +1)866-446-3586

• You can also contact us by e-mail : coilmaster@coilmaster.com

- All specifications are subject to change without notice.
- Update date : 2019.12.09

www.coilmaster.com