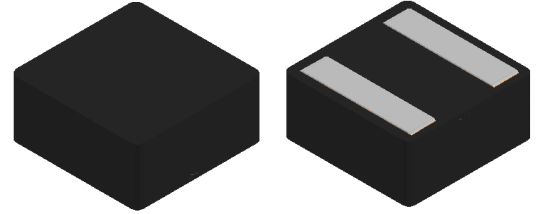


CMI-MMPF5030QL-SB SERIES

Features

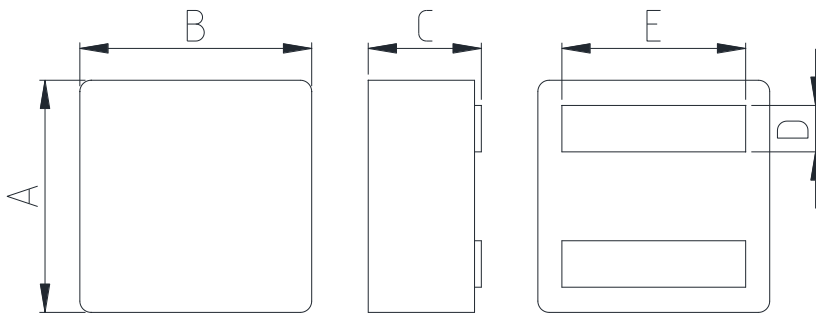
- ▶ High current
- ▶ Metal powder molding type for EMC protection.
- ▶ Lower DCR with applying flat wire.
- ▶ Available tape and reel for auto insertion.
- ▶ Halogen-Free / RoHS compliant.



Applications

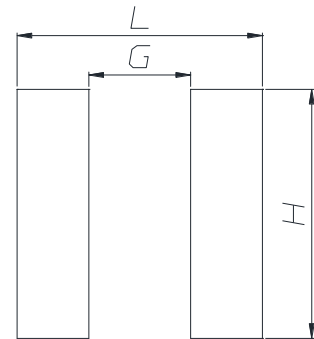
- ▶ For DC/DC Converter

Dimension (Unit:mm)



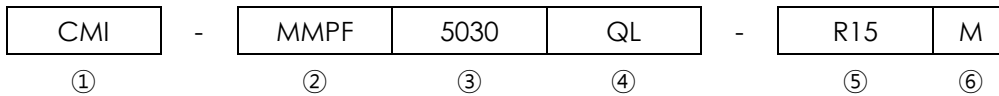
A	B	C	D	E
5.28±0.2	5.48±0.2	3.1 Max.	0.8±0.2	4.2±0.2

Land Pattern (Unit:mm)



L	G	H
4.49	2.13	4.70

Regulation of part number



- ① CoilMaster's initial
- ② Series Name : Metal Molded Power inductor Flat wire type.
- ③ Core Size (unit:mm)
- ④ Material
- ⑤ Typical inductance value (0.15uH)
- ⑥ Inductance tolerance (±20%)

• You can also contact us by e-mail : coilmaster@coilmaster.com
 • All specifications are subject to change without notice.
 • Update date : 2021.12.28

Specifications

Part Number	Inductance (uH) ±20%	DCR(mohm) Max(Typ)	IDC1(A) Max(Typ)	IDC2(A) Max(Typ)	Test Frequency (Hz)
CMI-MMPF5030QL-R15M-SB	0.15	2.4(2.0)	36.00(40.00)	19.00(20.00)	1M
CMI-MMPF5030QL-R22M-SB	0.22	3.1(2.6)	33.00(38.00)	16.00(16.50)	1M
CMI-MMPF5030QL-R33M-SB	0.33	3.5(2.9)	27.00(32.00)	15.00(15.50)	1M
CMI-MMPF5030QL-R47M-SB	0.47	4.4(3.7)	21.00(26.00)	12.20(12.70)	1M
CMI-MMPF5030QL-R68M-SB	0.68	6.6(5.5)	16.00(18.00)	11.00(11.50)	1M
CMI-MMPF5030QL-R82M-SB	0.82	7.2(6.0)	15.00(17.00)	10.50(11.00)	1M
CMI-MMPF5030QL-1R0M-SB	1.0	7.8(6.5)	14.50(16.50)	10.00(10.50)	1M
CMI-MMPF5030QL-1R2M-SB	1.2	8.4(7.0)	13.50(15.50)	9.50(10.00)	1M
CMI-MMPF5030QL-1R5M-SB	1.5	11.5(9.6)	9.50(11.50)	8.80(9.30)	1M
CMI-MMPF5030QL-2R2M-SB	2.2	15.6(13.0)	9.40(10.50)	7.10(7.50)	1M
CMI-MMPF5030QL-3R3M-SB	3.3	24.0(20.0)	8.50(9.50)	5.50(5.70)	1M
CMI-MMPF5030QL-4R7M-SB	4.7	42.0(35.0)	6.30(7.00)	3.80(4.00)	1M

- IDC1: When based on the inductance change rate (approximately 30% below in the initial value)
- IDC2: When based on the temperature increase (Temperature increase of approximately 40°C by self heating)
- Operating Temperature Range(including self temperature) : -40°C ~ +125 °C

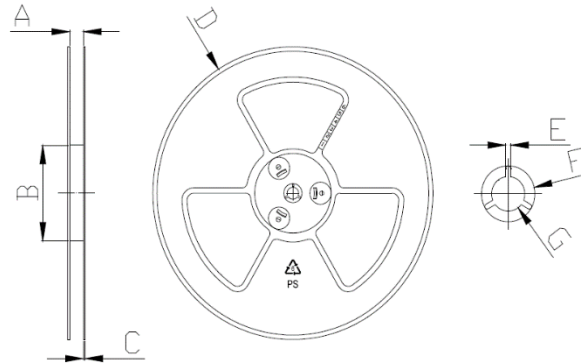
Note 1 : Circuit design, component placement, PCB trace size and thickness, airflow and other cooling. Provision all affect the part Temperature. Part temperature should be verified in the end application.

- **You can also contact us by e-mail : coilmaster@coilmaster.com**
- All specifications are subject to change without notice.
- Update date : 2021.12.28

Packaging

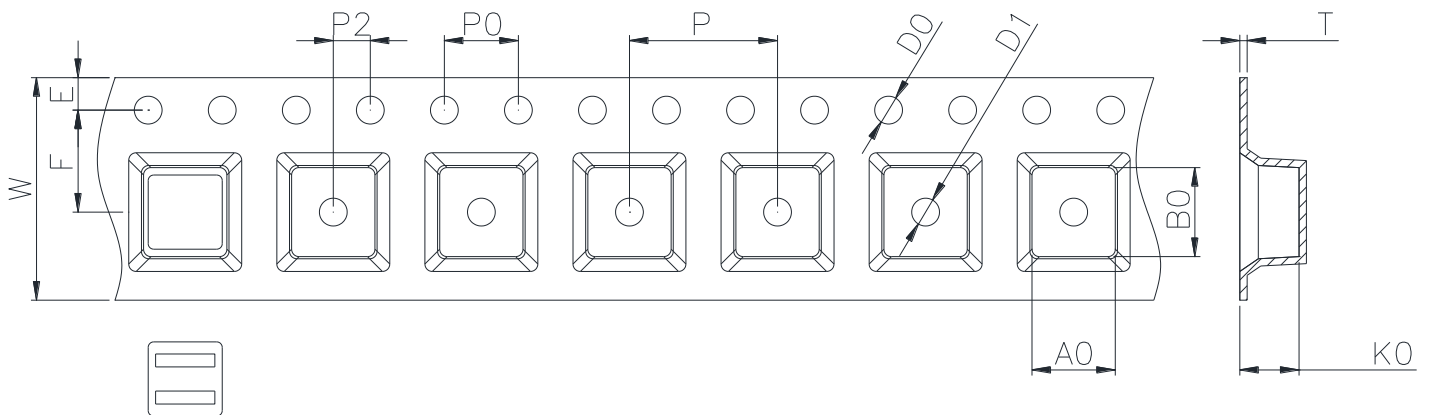
(1) Package quantity : 1,500 (pcs/reel)

(2) Reel Dimensions (unit:mm)



A	B	C	D	E	F	G
12.50	100.0	2.00	330.0	2.30	21.50	13.00
+0.50	+1.00	+0.20	+3.00	+0.30	+0.30	+0.50
-0.50	-1.00	-0.20	-3.00	-0.30	-0.30	-0.20

(3) Tape Dimensions



W	A0	B0	K0	E	F	P	P0	P2	D0/D1	T
12.00	5.60	5.90	3.10	1.75	5.50	8.00	4.00	2.00	1.50	0.35
+0.30	+0.10	+0.10	+0.10	+0.10	+0.10	+0.10	+0.10	+0.10	+0.10	+0.05
-0.10	-0.10	-0.10	-0.10	-0.10	-0.10	-0.10	-0.10	-0.10	-0.00	-0.05

Ilisan Sales Office (KOREA) +82)31-904-1444
 Shenzhen Sales Office (CHINA) +86)755-8663-6929
 Hungary Sales office (EUROPE) +36)30-913-7706

H.K Sales Office (HONGKONG) +852)2711-5551
 LA Sales Office (USA) +1)866-446-3586

• You can also contact us by e-mail : coilmaster@coilmaster.com

- All specifications are subject to change without notice.
- Update date : 2021.12.28

www.coilmaster.com