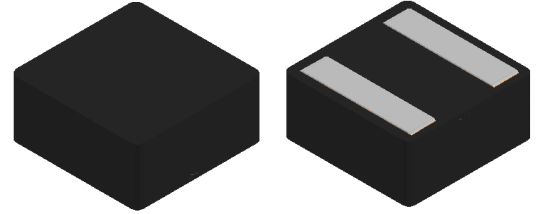




CMI-MMPF4040QL-SB SERIES

Features

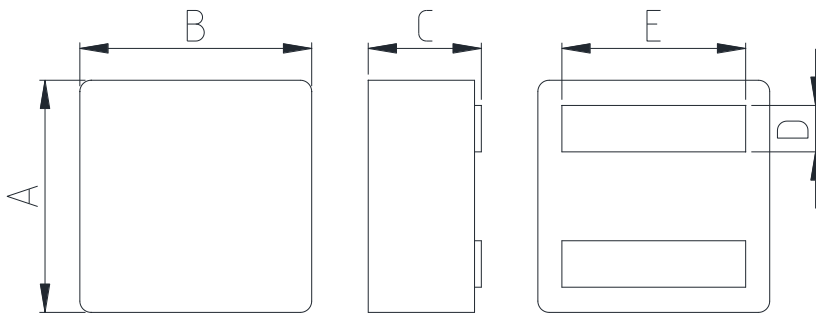
- ▶ High current
- ▶ Metal powder molding type for EMC protection.
- ▶ Lower DCR with applying flat wire.
- ▶ Available tape and reel for auto insertion.
- ▶ Halogen-Free / RoHS compliant.



Applications

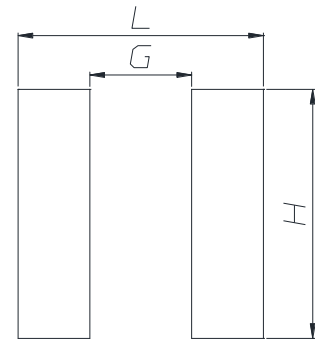
- ▶ For DC/DC Converter

Dimension (Unit:mm)



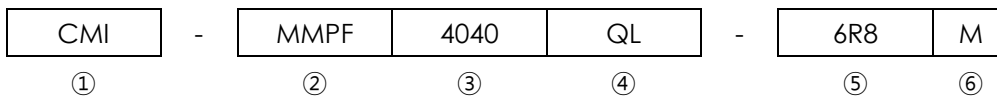
A	B	C	D	E
4.0±0.3	4.0±0.3	4.1 Max.	0.7±0.2	3.2±0.2

Land Pattern (Unit:mm)



L	G	H
3.35	1.39	3.40

Regulation of part number



- ① CoilMaster's initial
- ② Series Name : Metal Molded Power inductor Flat wire type.
- ③ Core Size (unit:mm)
- ④ Material
- ⑤ Typical inductance value (6.8uH)
- ⑥ Inductance tolerance (±20%)

• You can also contact us by e-mail : coilmaster@coilmaster.com
 • All specifications are subject to change without notice.
 • Update date : 2021.12.28

Specifications

Part Number	Inductance (uH) ±20%	DCR(mohm) Max(Typ)	IDC1(A) Max(Typ)	IDC2(A) Max(Typ)	Test Frequency (Hz)
CMI-MMPF4040QL-6R8M-SB	6.8	54.0(45.0)	4.30(4.80)	4.30(4.60)	1M
CMI-MMPF4040QL-8R2M-SB	8.2	72.0(60.0)	3.60(4.00)	3.20(3.40)	1M
CMI-MMPF4040QL-100M-SB	10.0	96.0(80.0)	2.70(3.00)	2.90(3.10)	1M
CMI-MMPF4040QL-150M-SB	15.0	120(100)	2.60(2.90)	2.65(2.80)	1M

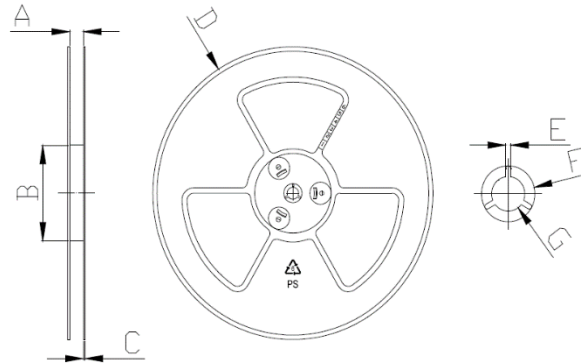
- IDC1: When based on the inductance change rate (approximately 30% below in the initial value)
- IDC2: When based on the temperature increase (Temperature increase of approximately 40°C by self heating)
- Operating Temperature Range(including self temperature) : -40°C ~ +125 °C

Note 1 : Circuit design, component placement, PCB trace size and thickness, airflow and other cooling. Provision all affect the part Temperature. Part temperature should be verified in the end application.

Packaging

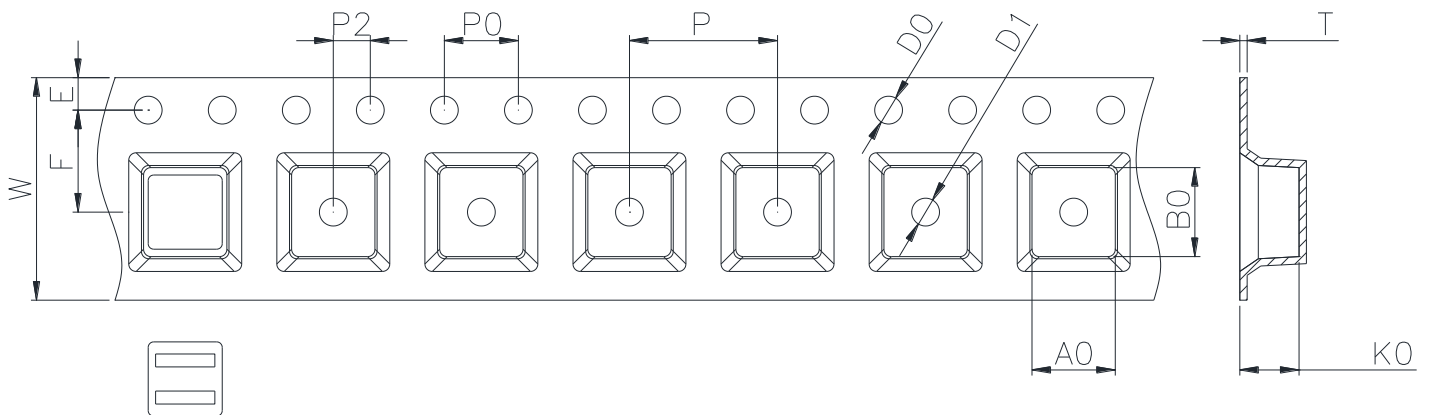
(1) Package quantity : 1,500 (pcs/reel)

(2) Reel Dimensions (unit:mm)



A	B	C	D	E	F	G
12.50	100.0	2.00	330.0	2.30	21.50	13.00
+0.50	+1.00	+0.20	+3.00	+0.30	+0.30	+0.50
-0.50	-1.00	-0.20	-3.00	-0.30	-0.30	-0.20

(3) Tape Dimensions



W	A0	B0	K0	E	F	P	P0	P2	D0/D1	T
12.00	4.40	4.40	4.30	1.75	5.50	8.00	4.00	2.00	1.50	0.40
+0.30	+0.10	+0.10	+0.10	+0.10	+0.10	+0.10	+0.10	+0.10	+0.10	+0.05
-0.10	-0.10	-0.10	-0.10	-0.10	-0.10	-0.10	-0.10	-0.10	-0.00	-0.05

Ilisan Sales Office (KOREA) +82)31-904-1444
 Shenzhen Sales Office (CHINA) +86)755-8663-6929
 Hungary Sales office (EUROPE) +36)30-913-7706

H.K Sales Office (HONGKONG) +852)2711-5551
 LA Sales Office (USA) +1)866-446-3586

• You can also contact us by e-mail : coilmaster@coilmaster.com

- All specifications are subject to change without notice.
- Update date : 2021.12.28

www.coilmaster.com