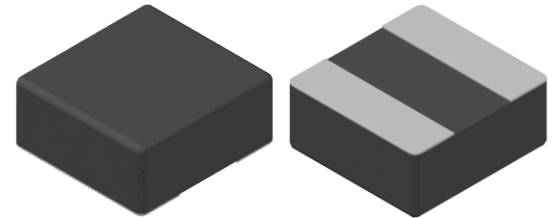


CMI-MMP7030HL-B SERIES

Features

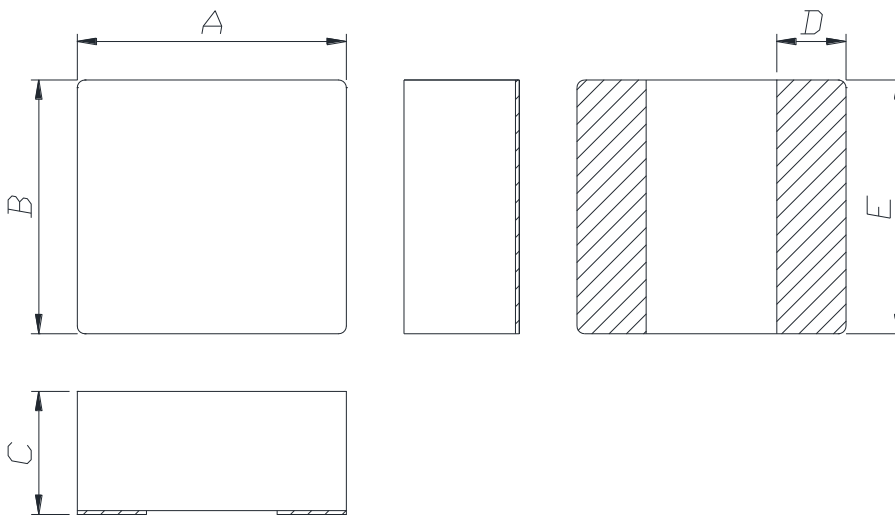
- ▶ Low DCR, Compact design
- ▶ Metal powder molding type for EMC protection.
- ▶ Available tape and reel for auto insertion.
- ▶ Halogen-Free / RoHS compliant.



Applications

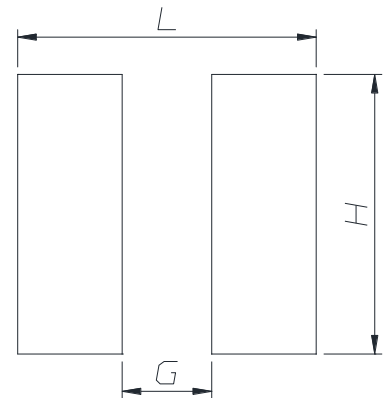
- ▶ For DC/DC converter, AV equipment digital consumer electronics

Dimension (Unit:mm)



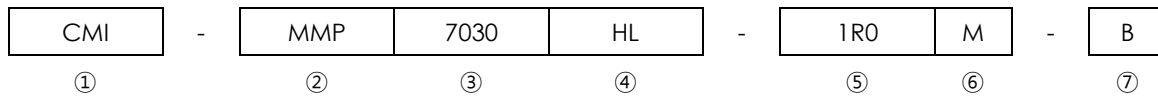
A	B	C	D	E
7.0±0.3	6.6±0.3	3.0 Max.	1.8±0.3	6.6±0.3

Land Pattern (Unit:mm)



L	G	H
8.0	2.4	7.5

Regulation of part number



- ① CoilMaster's initial
- ② Series Name : Metal Molded Power inductor
- ③ Core Size (unit:mm)
- ④ Type
- ⑤ Typical inductance value (1.0 uH)
- ⑥ Inductance tolerance ($\pm 20\%$)
- ⑦ Revision (B)

Specifications

Part Number	Inductance (uH) $\pm 20\%$	DCR(mohm) Max.(Typ.)	Isat(A) Max.(Typ.)	Itemp(A) Max.(Typ.)	Test Frequency (Hz)
CMI-MMP7030HL-1R0M-B	1.0	7.2(6)	16.5(18.5)	14.0(15.0)	1M
CMI-MMP7030HL-1R5M-B	1.5	10.2(8.5)	15.0(17.0)	12.0(13.0)	1M
CMI-MMP7030HL-2R2M-B	2.2	14.4(12)	11.5(13.5)	11.0(12.0)	1M
CMI-MMP7030HL-3R3M-B	3.3	19.8(16.5)	8.5(10.5)	8.5(9.0)	1M
CMI-MMP7030HL-4R7M-B	4.7	24(20)	7.5(9.5)	7.5(8.0)	1M
CMI-MMP7030HL-6R8M-B	6.8	38.4(32)	6.5(7.5)	6.0(6.5)	1M
CMI-MMP7030HL-100M-B	10.0	60(50)	5.5(6.5)	4.5(5.0)	1M
CMI-MMP7030HL-150M-B	15.0	84(70)	4.7(5.2)	4.3(4.5)	1M
CMI-MMP7030HL-220M-B	22.0	120(100)	4.0(4.5)	3.3(3.5)	1M

- Isat: When based on the inductance change rate (approximately 30% below in the initial value)
- Itemp: When based on the temperature increase (Temperature increase of approximately 40°C by self heating)
- Operating Temperature Range(including self temperature) : -40°C ~ +125 °C

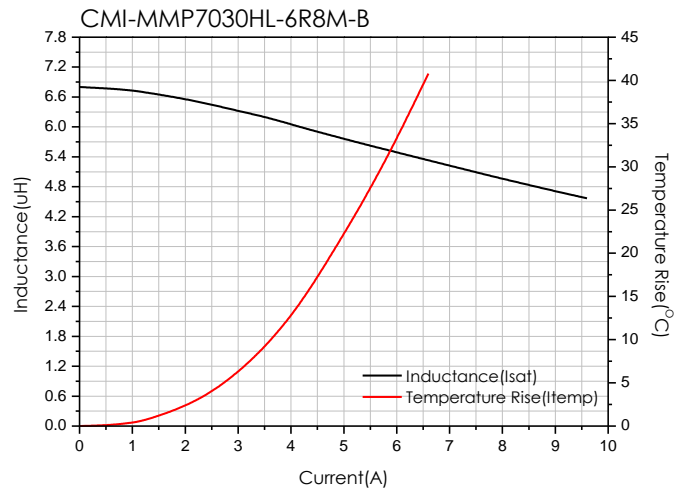
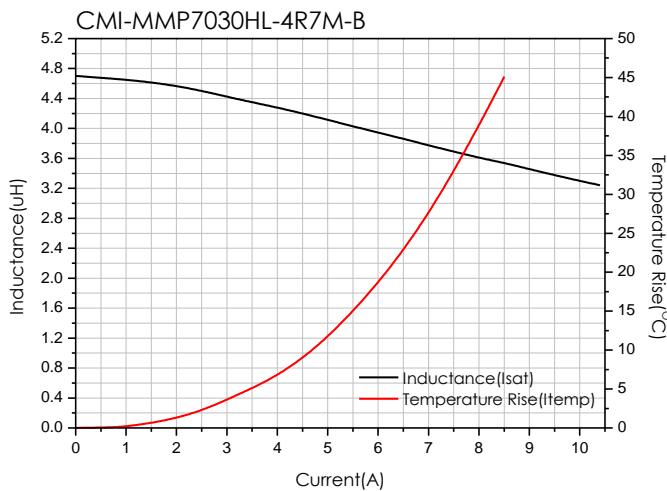
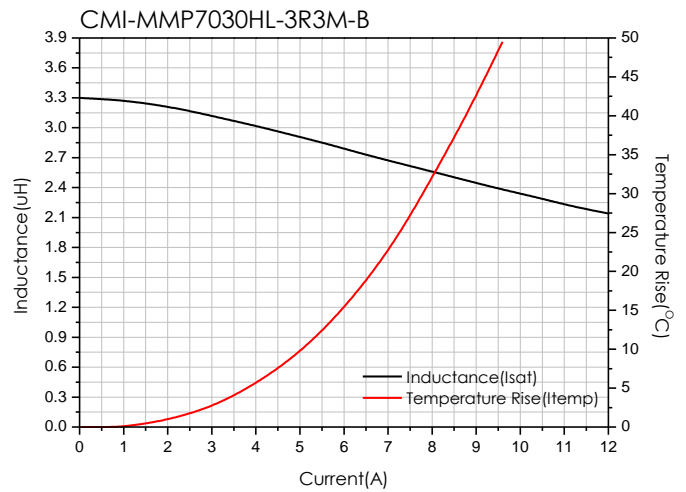
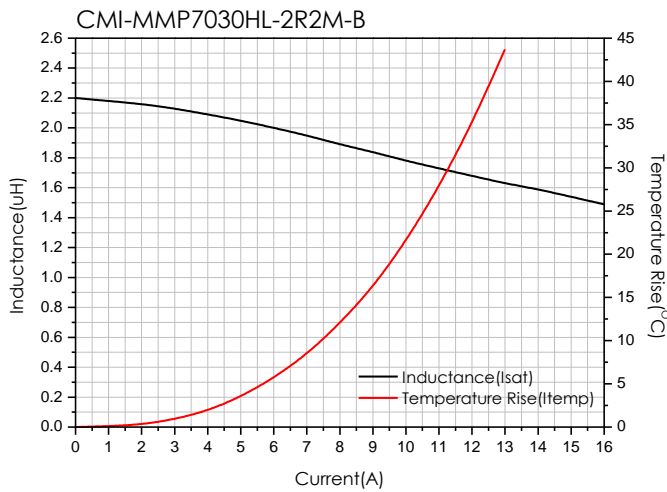
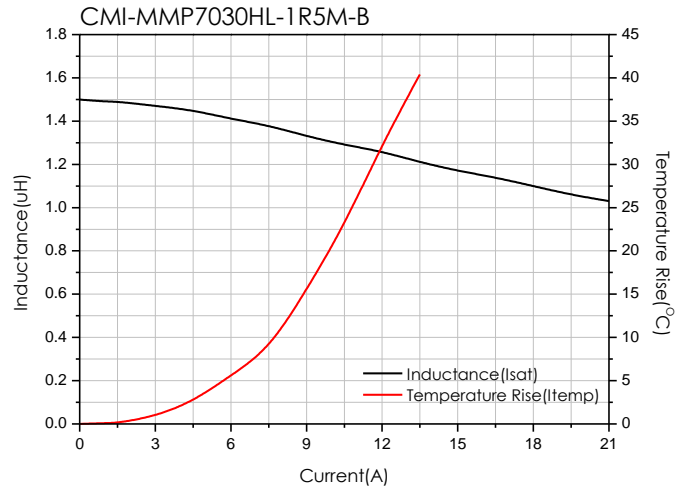
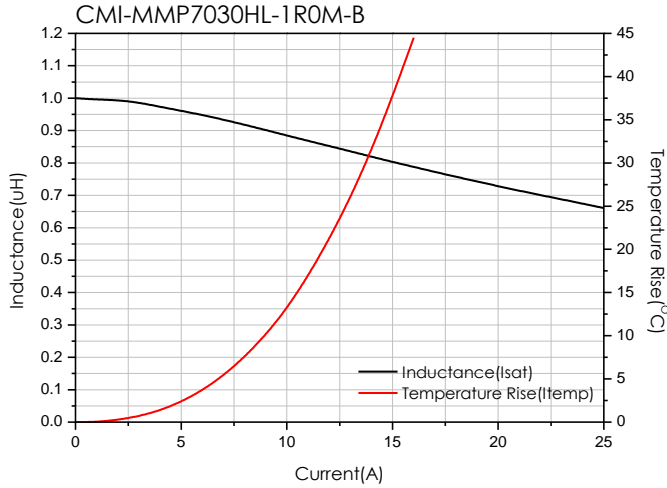
Note 1 : Circuit design, component placement, PCB trace size and thickness, airflow and other cooling. Provision all affect the part Temperature. Part temperature should be verified in the end application.

▪ **You can also contact us by e-mail : coilmaster@coilmaster.com**

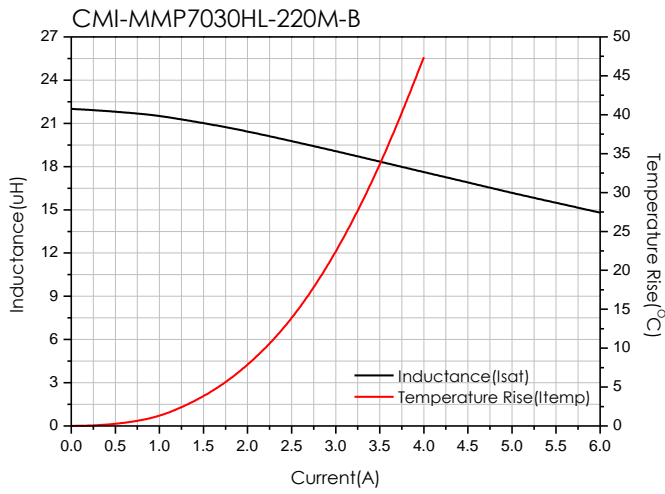
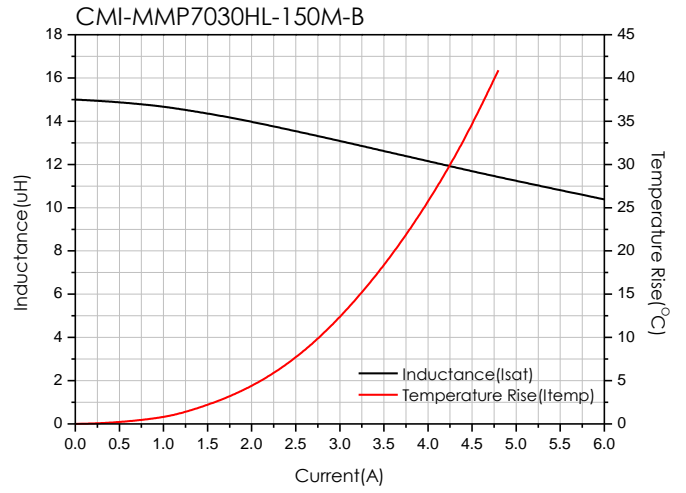
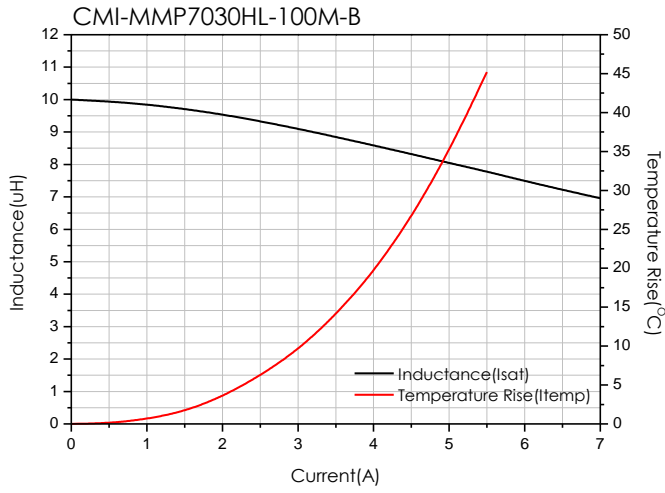
- All specifications are subject to change without notice.
- Update date : 2023.05.22

www.coilmaster.com

Electrical characteristics



- You can also contact us by e-mail : coilmaster@coilmaster.com
- All specifications are subject to change without notice.
- Update date : 2023.05.22

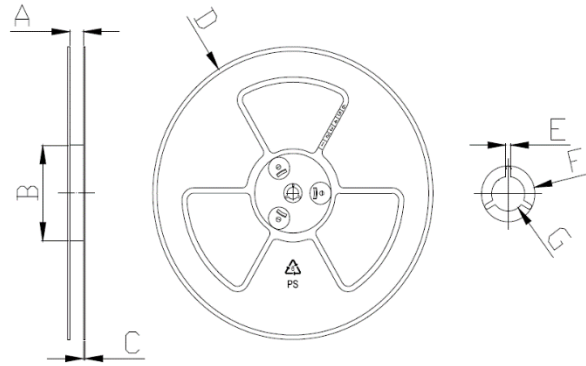


- You can also contact us by e-mail : coilmaster@coilmaster.com
- All specifications are subject to change without notice.
- Update date : 2023.05.22

Packaging

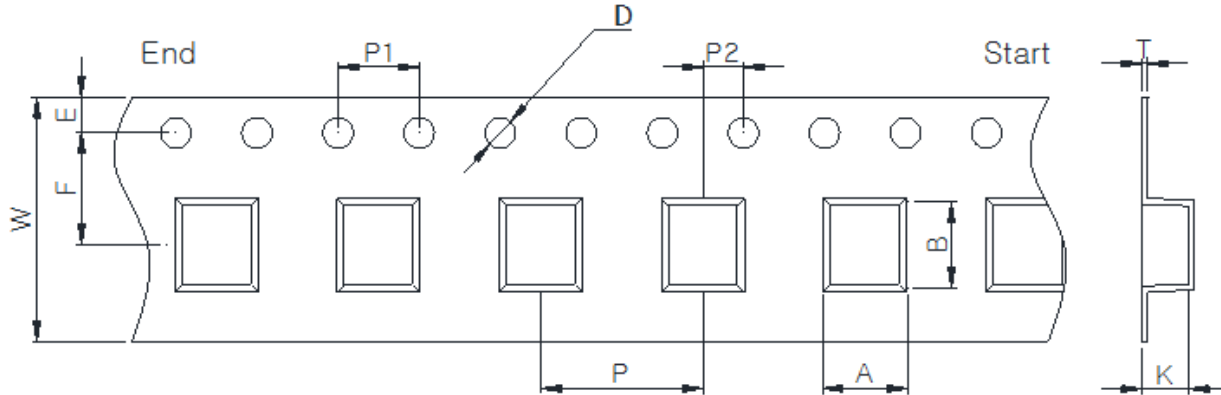
(1) Package quantity : 1,000 (pcs/reel)

(2) Reel Dimensions (unit:mm)



A	B	C	D	E	F	G
16.50	100.0	2.00	330.0	2.30	21.50	13.00
+0.50	+1.00	+0.10	+3.00	+0.30	+0.30	+0.50
-0.50	-1.00	-0.10	-3.00	-0.30	-0.30	-0.20

(3) Tape Dimensions



W	A	B	K	E	F	P	P1	P2	D	T
16.00	7.00	7.50	3.20	1.75	7.50	12.00	4.00	2.00	1.50	0.35
+0.30	+0.10	+0.10	+0.10	+0.10	+0.10	+0.10	+0.10	+0.10	+0.10	+0.05
-0.10	-0.10	-0.10	-0.10	-0.10	-0.10	-0.10	-0.10	-0.10	-0.00	-0.05

Korea Sales Office (KOREA) +82)31-904-1444
 China Sales Office (CHINA) +86)0758-683-1444
 Hungary Sales office (EUROPE) +36)1-404-5832

H.K Sales Office (HONGKONG) +852)2711-5551
 LA Sales Office (USA) +1)714-616-6989

• You can also contact us by e-mail : coilmaster@coilmaster.com

- All specifications are subject to change without notice.
- Update date : 2023.05.22

www.coilmaster.com