

## CTTX505035BF

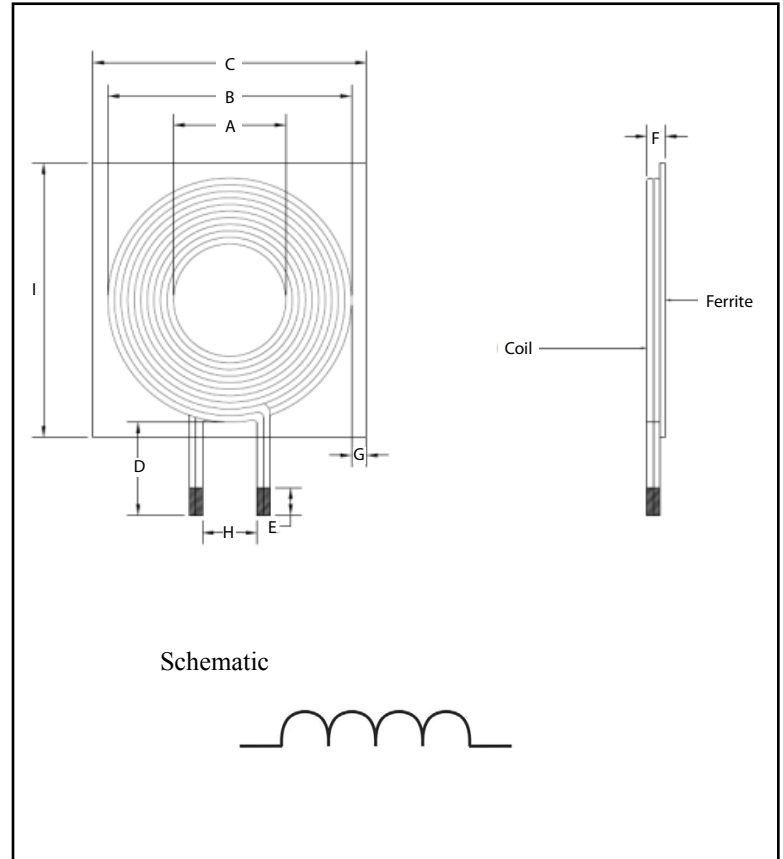
### SPECIFICATIONS

Part Number	Inductance ( $\mu\text{H} \pm 10\%$ )	Test Freq. (Hz)	DCR Max. ( $\text{m}\Omega$ )	I <sub>rms</sub> Max. (A)	Qi Design	Winding	Power (W)
CTTX505035BF-6R3K	6.3	100K/1V	25	10.0	A11	Bi-filar	5-15



### PHYSICAL DIMENSIONS

Size	A	B	C	D	E	F	G	H	I
						Max.	Min.	Typ.	
mm	20.5±0.5	44.0±1.5	50.0±0.5	17.0±2.0	5.0±2.0	4.0	2.0	10.0	50.0±0.5
inches	0.81±0.02	1.73±0.06	1.97±0.02	0.67±0.08	0.20±0.08	0.16	0.08	0.39	1.97±0.02



### CHARACTERISTICS

**Description:** Wireless power charging transmitter coil

**Applications:** Used in wireless charging systems designed for a wide range of portable consumer electronic products such as mobile phones, tablets, cameras, MP3 players, battery chargers, scanners, gaming industry, etc.

**Operating Temperature:** -40°C to +85°C

**Storage Temperature:** -40°C to +85°C (on board)

**I<sub>rms</sub>:** Based on temp. rise up to 40°C Max.

**Miscellaneous:** **RoHS Compliant**

**Additional Information:** Additional electrical & physical information available upon request

**Samples available. See website for ordering information.**