

CTSFW7050CF Series

From .25 μ H to 13 μ H



CHARACTERISTICS

Description: SMD flat wire high current power inductors

Features:

- Magnetic shielded structure, excellent resistance to electromagnetic interference
- Flat wire winding, achieve a low DC resistance
- Lightweight design, save space, suitable for high density SMT

Applications: Graphic cards, Industrial computers, DC/DC converters, Motherboards, Filters, High current switching regulators, Polyphase-switching regulators

Operating Temperature: -55°C to +150°C (including coils self temperature rise)

Storage Temperature: -40°C to +125°C

Inductance Tolerance: $\pm 20\%$

Testing: Inductance at 100kHz, 0.5V

Packaging: Tape & Reel.

Miscellaneous: **RoHS Compliant.**

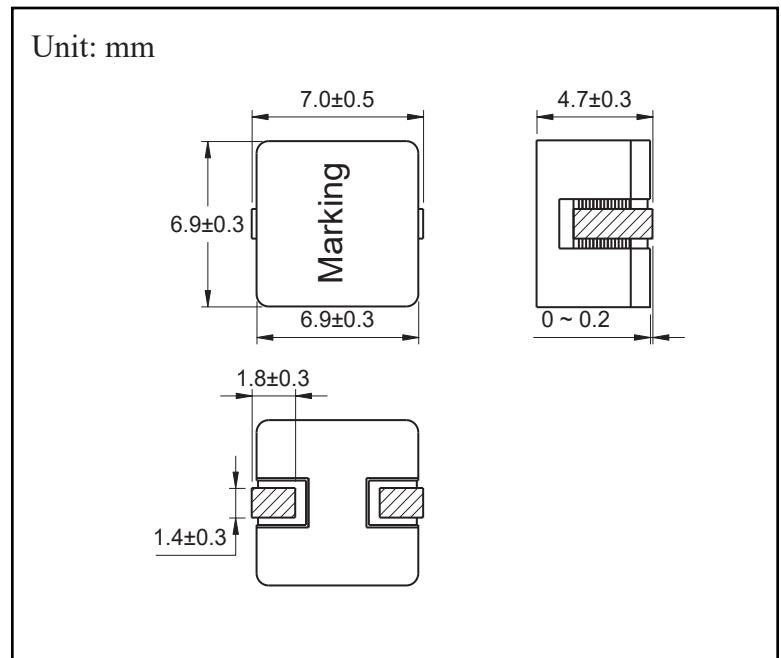
Samples available. See website for ordering information.

SPECIFICATIONS

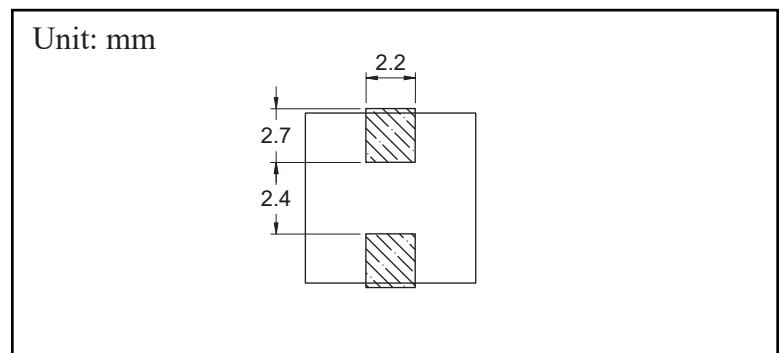
*Isat: Value of inductance decrease within 30%
 **Irms: A rise in temperature of core surface is within 50°C

Part Number	Inductance $\pm 20\%$ (μ H)	DCR Nom.(Max.) (m Ω)	Isat(A) Drop $\leq 30\%$	Irms(A) Rise $\leq 50^\circ\text{C}$
CTSFW7050CF-R25M	0.25	0.88(1.00)	60.0	21.0
CTSFW7050CF-R47M	0.47	1.36(1.56)	39.0	18.0
CTSFW7050CF-1R0M	1.00	3.55(4.10)	27.0	15.0
CTSFW7050CF-1R5M	1.50	4.10(4.75)	22.5	13.5
CTSFW7050CF-2R0M	2.00	5.57(6.40)	19.5	11.8
CTSFW7050CF-2R7M	2.70	7.10(8.20)	16.5	10.3
CTSFW7050CF-3R3M	3.30	8.50(9.80)	15.3	9.00
CTSFW7050CF-3R9M	3.90	12.3(14.2)	14.0	8.00
CTSFW7050CF-4R7M	4.70	14.8(17.0)	12.7	6.50
CTSFW7050CF-5R6M	5.60	19.2(22.1)	11.4	6.20
CTSFW7050CF-6R8M	6.80	20.5(23.6)	10.3	6.00
CTSFW7050CF-7R6M	7.60	20.5(23.6)	8.30	6.00
CTSFW7050CF-8R8M	8.80	21.6(24.9)	7.90	4.80
CTSFW7050CF-100M	10.0	26.5(30.5)	7.40	4.40
CTSFW7050CF-130M	13.0	38.6(44.4)	6.50	3.10

PHYSICAL DIMENSIONS



PAD LAYOUT



CTSFW7050CF Series

Saturation Current vs Temperature Rise Current Curve

