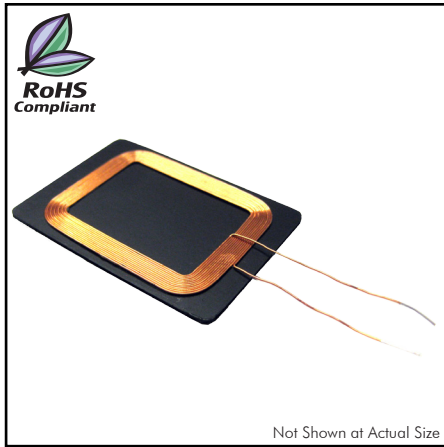


## CTRX324517SF

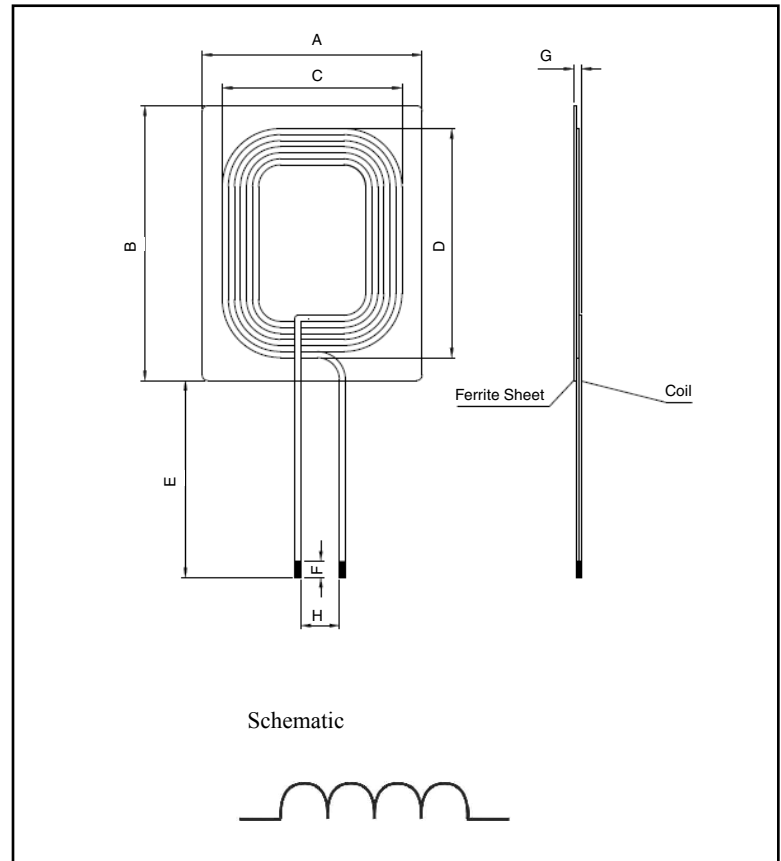
### SPECIFICATIONS

Part Number	Inductance ( $\mu\text{H} \pm 10\%$ )	Test Freq. (Hz)	DCR Max. ( $\text{m}\Omega$ )	I <sub>rms</sub> Max. (A)	Winding	Power (W)
CTRX324517SF-140K	14.0	100K/1V	355.0	1.2	Single	5



### PHYSICAL DIMENSIONS

Size	A	B	C	D	E	F	G	H
	Max.	Max.	Ref.	Ref.			Max.	Ref.
mm	32.0	45.0	29.0	36.3	27.0±2.0	5.0±2.0	1.7	5.0
inches	1.26	1.77	1.14	1.43	1.06±0.08	0.20±0.08	0.07	0.20



### CHARACTERISTICS

- Description:** Wireless power charging receiver coil
- Applications:** Used in wireless charging systems designed for a wide range of portable consumer electronic products such as mobile phones, scanners, gaming industry, etc.
- Operating Temperature:** -40°C to +85°C
- Storage Temperature:** -40°C to +85°C (on board)
- I<sub>rms</sub>:** Based on temp. rise up to 40°C
- Miscellaneous:** **RoHS Compliant**
- Additional Information:** Additional electrical & physical information available upon request
- Samples available. See website for ordering information.**