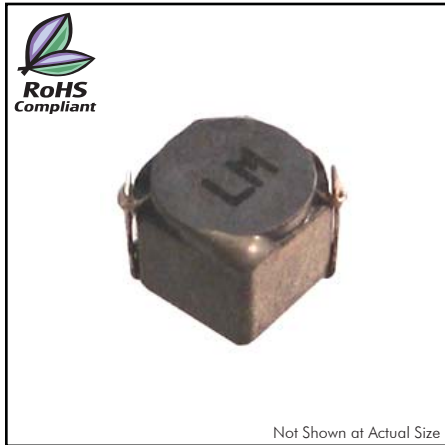


CTCDRH3D28/LDF Series

From 10 μ H to 220 μ H



CHARACTERISTICS

- Description:** SMD (shielded) power inductor.
- Applications:** MP3, DSC/DVC, LCD televisions, PC notebooks, portable communication equipment, DC/DC converters, etc.
- Operating Temperature:** -40°C to +85°C
- Inductance Tolerance:** $\pm 20\%$
- Testing:** Inductance is tested on an HP4285A at 100KHz, 0.1V
- Packaging:** Tape & Reel.
- Marking:** Parts are marked with letter identifiers.
- Miscellaneous:** RoHS Compliant.
- Additional Information:** Additional electrical & physical information available upon request.
- Samples available. See website for ordering information.**

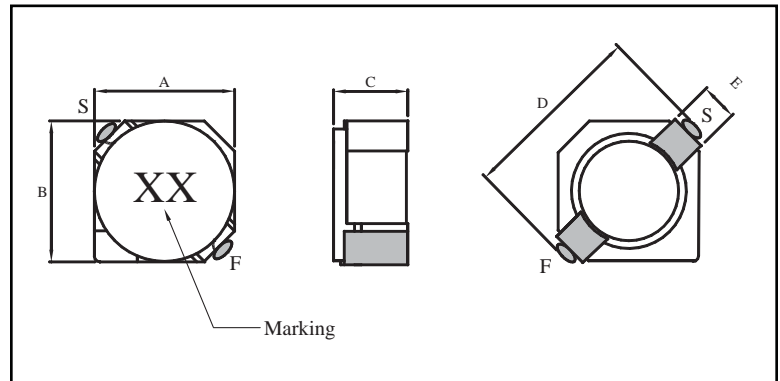
SPECIFICATIONS

Parts are available in $\pm 20\%$ inductance tolerance only.
 Inductance drop = 35% typ. at Isat.
 $\Delta T = 40^\circ\text{C}$ rise at Irms.

Part Number	Marking	Inductance at 100kHz (μ H)	Irms Max. (A)	Isat Max. (A)	DCR Max. (Ω)
CTCDRH3D28/LDF-100M	LG	10	1.52	0.50	0.095
CTCDRH3D28/LDF-120M	LH	12	1.48	0.45	0.100
CTCDRH3D28/LDF-150M	LI	15	1.44	0.40	0.115
CTCDRH3D28/LDF-180M	LJ	18	1.37	0.35	0.125
CTCDRH3D28/LDF-220M	LK	22	1.28	0.33	0.145
CTCDRH3D28/LDF-270M	LL	27	1.18	0.29	0.175
CTCDRH3D28/LDF-330M	LM	33	1.15	0.28	0.215
CTCDRH3D28/LDF-390M	LN	39	1.00	0.25	0.225
CTCDRH3D28/LDF-470M	LO	47	0.81	0.23	0.305
CTCDRH3D28/LDF-560M	LP	56	0.76	0.20	0.325
CTCDRH3D28/LDF-680M	LQ	68	0.60	0.185	0.470
CTCDRH3D28/LDF-820M	LR	82	0.58	0.172	0.540
CTCDRH3D28/LDF-101M	LS	100	0.52	0.160	0.610
CTCDRH3D28/LDF-121M	LT	120	0.50	0.136	0.755
CTCDRH3D28/LDF-151M	LU	150	0.48	0.124	0.880
CTCDRH3D28/LDF-181M	LV	180	0.42	0.119	1.130
CTCDRH3D28/LDF-221M	LW	220	0.36	0.116	1.270

PHYSICAL DIMENSIONS

Size	A Max.	B Max.	C Max.	D Max.	E Ref.
mm	4.0	4.0	3.0	5.2	1.0
inches	0.16	0.16	0.12	0.20	0.04



PAD LAYOUT

