

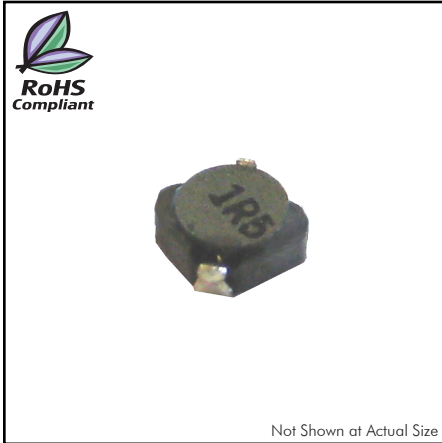
## CTCDRH2D11/HPF Series

From 1.5 $\mu$ H to 10 $\mu$ H

### SPECIFICATIONS

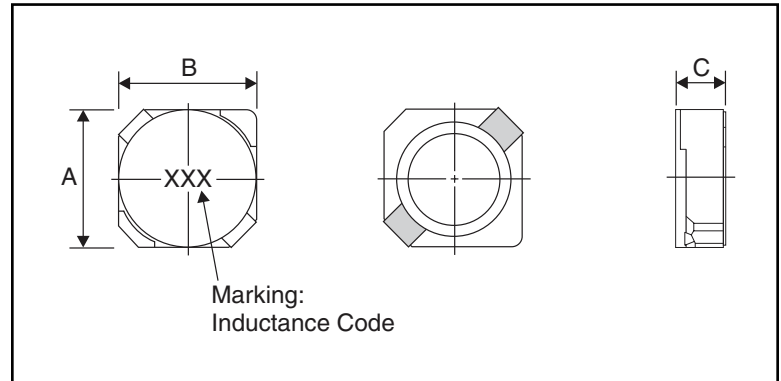
Part are available in  $\pm 30\%$  inductance tolerance only.

Part Number	Inductance ( $\mu$ H)	L Test Freq. (kHz)	DCR Max. (m $\Omega$ )	IDC (A)
CTCDRH2D11/HPF-1R5N	1.5	100	80	1.35
CTCDRH2D11/HPF-2R2N	2.2	100	120	1.10
CTCDRH2D11/HPF-3R3N	3.3	100	135	0.90
CTCDRH2D11/HPF-4R7N	4.7	100	238	0.75
CTCDRH2D11/HPF-6R8N	6.8	100	371	0.63
CTCDRH2D11/HPF-100N	10	100	559	0.52



### PHYSICAL DIMENSIONS

Size	A	B	C
	Max.	Max.	Max.
mm	3.2	3.2	1.2
inches	0.126	0.126	0.047



### CHARACTERISTICS

**Description:** SMD (shielded) power inductor

**Applications:** Power supplies for VTR, OA equipment, LCD televisions, PC notebooks, portable communication equipment, DC/DC converters, etc.

**Operating Temperature:** -40°C to +85°C

**IDC:** The current when the inductance becomes 35% lower than its normal value (Ta=20°C).

**Inductance Tolerance:**  $\pm 30\%$

**Testing:** Tested on an HP4285A at 100KHz, 0.25Vrms, 0Adc

**Packaging:** Tape & Reel

**Marking:** Parts are marked with inductance code

**Miscellaneous:** RoHS Compliant.

**Additional Information:** Additional electrical & physical information available upon request.

**Samples available. See website for ordering information.**

### PAD LAYOUT

