

CTCDR63BF Series

From 10 μH to 68 μH



SPECIFICATIONS

Part numbers indicate tolerance available.

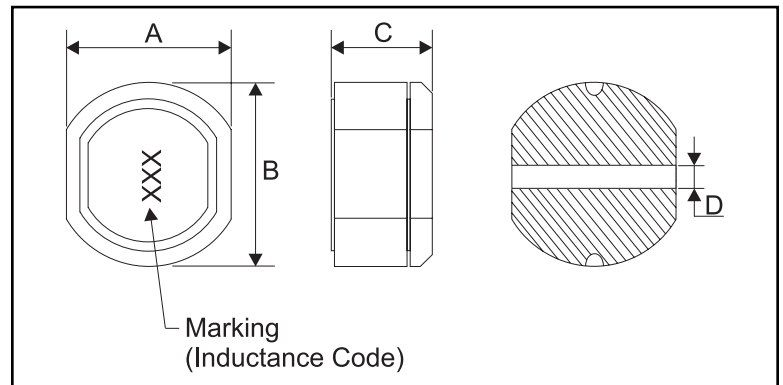
L = $\pm 15\%$, M = $\pm 20\%$

*Inductance drop = 10% typ. at IDC

| Part Number | Inductance (μH) | L Test Freq. (MHz) | DCR Max. (Ω) | IDC Max. (A) |
|----------------|------------------------------|--------------------|-----------------------|--------------|
| CTCDR63BF-100M | 10 | 2.52 | 0.14 | 1.00 |
| CTCDR63BF-120M | 12 | 2.52 | 0.16 | 0.94 |
| CTCDR63BF-150M | 15 | 2.52 | 0.18 | 0.86 |
| CTCDR63BF-180M | 18 | 2.52 | 0.25 | 0.78 |
| CTCDR63BF-220M | 22 | 2.52 | 0.32 | 0.76 |
| CTCDR63BF-270M | 27 | 2.52 | 0.36 | 0.64 |
| CTCDR63BF-330L | 33 | 2.52 | 0.41 | 0.61 |
| CTCDR63BF-390L | 39 | 2.52 | 0.47 | 0.53 |
| CTCDR63BF-470L | 47 | 2.52 | 0.51 | 0.50 |
| CTCDR63BF-560L | 56 | 2.52 | 0.72 | 0.46 |
| CTCDR63BF-680L | 68 | 2.52 | 0.82 | 0.42 |

PHYSICAL DIMENSIONS

| Size | A Max. | B Max. | C Max. | D Ref. |
|--------|--------|--------|--------|--------|
| mm | 5.9 | 6.5 | 3.5 | 1.45 |
| inches | 0.23 | 0.26 | 0.14 | 0.06 |



CHARACTERISTICS

Description: SMD shielded power inductor.

Applications: VTR power supplies, OA equipment, LCD televisions, PC notebooks, portable communication equipment, DC/DC converters.

Operating Temperature: -40°C to $+85^{\circ}\text{C}$

Inductance Tolerance: $\pm 15\%$, $\pm 20\%$

Testing: Inductance is tested on an HP4285A at 2.52MHz.

Packaging: Tape & Reel.

Marking: Marked with inductance code.

Miscellaneous: RoHS Compliant.

Additional Information: Additional electrical & physical information available upon request.

Samples available. See website for ordering information.

PAD LAYOUT

