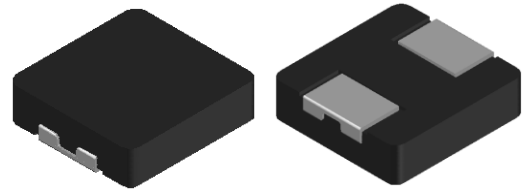


# CMI-CMMPP6018LH-N SERIES

## Features

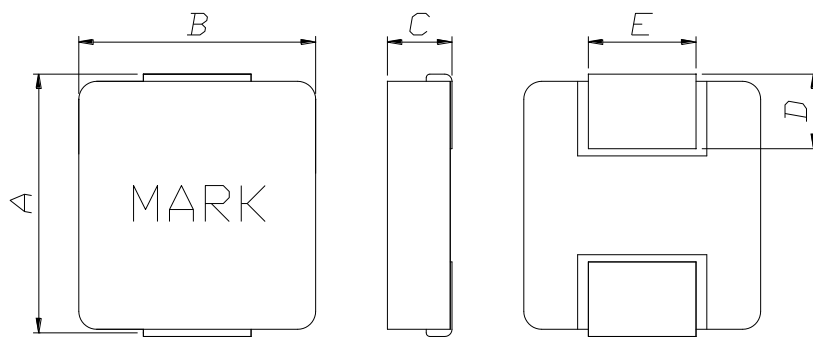
- ▶ High current and low profile
- ▶ Metal powder molding type for EMC protection.
- ▶ Available tape and reel for auto insertion.
- ▶ Halogen-Free / RoHS compliant.
- ▶ AEC-Q200 qualified.



## Applications

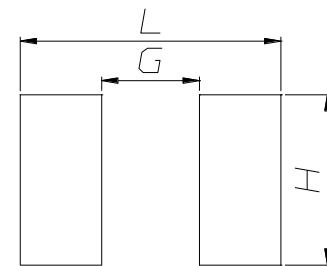
- ▶ Equipment using for automobiles (ECM, Airbags, Headlights, Electronic Power steering, Motors, ABS, other)

Dimension (Unit:mm)



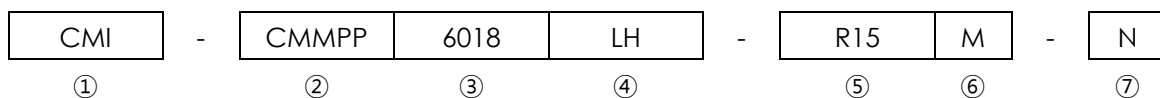
A	B	C	D	E
6.95±0.45	6.6±0.25	1.8 Max	1.8±0.3	3.0±0.3

Land Pattern (Unit:mm)



L	G	H
8.4	3.7	3.5

## Regulation of part number



- ① CoilMaster's initial
- ② Series Name : Car Magic Material Pin type Power inductor
- ③ Core Size (unit:mm)
- ④ Material
- ⑤ Typical inductance value (0.15uH)
- ⑥ Inductance tolerance (±20%)
- ⑦ Revision (N)

• You can also contact us by e-mail : [coilmaster@coilmaster.com](mailto:coilmaster@coilmaster.com)  
 • All specifications are subject to change without notice.  
 • Update date : 2020.09.17

## Specifications

Part Number	Inductance ( $\mu$ H) $\pm$ 20%	DCR(mohm) Max(Typ)	IDC1(A) Max(Typ)	IDC2(A) Max(Typ)	Test Frequency (Hz)
CMI-CMMPP6018LH-R15M-N	0.15	3.4(2.8)	35.00(45.00)	16.00(18.00)	1M
CMI-CMMPP6018LH-R22M-N	0.22	3.8(3.2)	30.00(40.00)	15.00(17.00)	1M
CMI-CMMPP6018LH-R33M-N	0.33	6.6(5.5)	23.00(28.00)	12.00(13.00)	1M
CMI-CMMPP6018LH-R47M-N	0.47	9.6(8.0)	21.00(26.00)	9.00(9.50)	1M
CMI-CMMPP6018LH-R68M-N	0.68	12.0(10.0)	17.00(20.00)	8.50(9.00)	1M
CMI-CMMPP6018LH-1R0M-N	1.0	20.4(17.0)	15.00(17.00)	7.50(8.00)	1M
CMI-CMMPP6018LH-1R5M-N	1.5	22.8(19.0)	11.00(13.00)	6.50(7.00)	1M
CMI-CMMPP6018LH-2R2M-N	2.2	38.4(32.0)	9.50(10.50)	5.00(5.50)	1M
CMI-CMMPP6018LH-3R3M-N	3.3	59.0(49.0)	7.50(8.50)	4.30(4.80)	1M
CMI-CMMPP6018LH-4R7M-N	4.7	96.0(80.0)	6.50(7.50)	3.30(3.50)	1M
CMI-CMMPP6018LH-6R8M-N	6.8	108(90.0)	5.50(6.50)	3.00(3.20)	1M
CMI-CMMPP6018LH-100M-N	10	192(160)	4.00(5.00)	2.30(2.50)	1M

- IDC1: When based on the inductance change rate (approximately 30% below in the initial value)
- IDC2: When based on the temperature increase (Temperature increase of approximately 40°C by self heating)
- Operating Temperature Range(including self temperature) : -40°C ~ +165 °C

Note 1 : Circuit design, component placement, PCB trace size and thickness, airflow and other cooling. Provision all affect the part Temperature. Part temperature should be verified in the end application.

▪ You can also contact us by e-mail : [coilmaster@coilmaster.com](mailto:coilmaster@coilmaster.com)

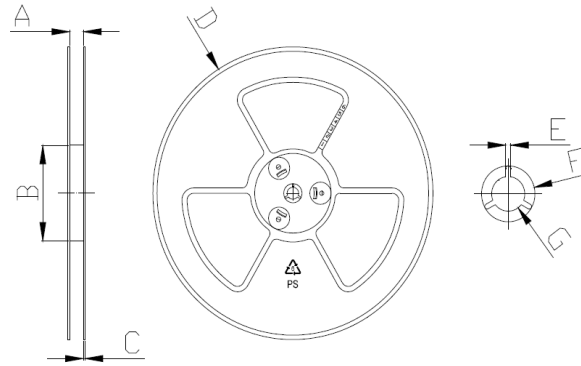
- All specifications are subject to change without notice.
- Update date : 2020.09.17

[www.coilmaster.com](http://www.coilmaster.com)

## Packaging

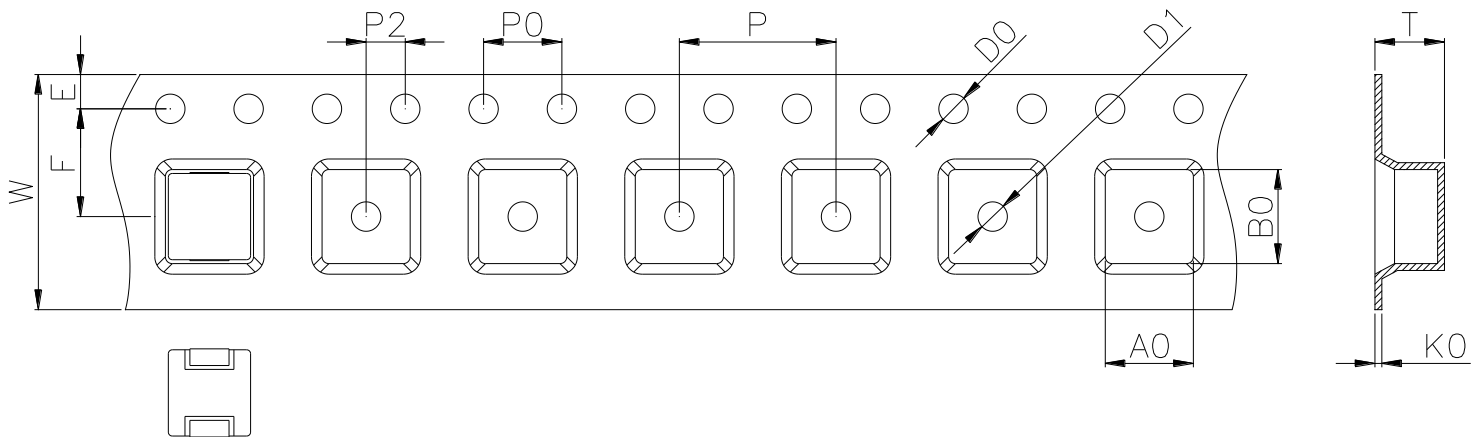
(1) Package quantity : 2,000 (pcs/reel)

(2) Reel Dimensions (unit:mm)



A	B	C	D	E	F	G
16.50	100.0	2.00	330.0	2.30	21.50	13.00
+0.50	+1.00	+0.10	+3.00	+0.30	+0.30	+0.50
-0.50	-1.00	-0.10	-3.00	-0.30	-0.30	-0.20

(3) Tape Dimensions



W	A0	B0	K0	E	F	P	P0	P2	D0/D1	T
16.00	7.00	7.50	2.20	1.75	7.50	12.00	4.00	2.00	1.50	0.30
+0.30	+0.10	+0.10	+0.10	+0.10	+0.10	+0.10	+0.10	+0.10	+0.10	+0.05
-0.10	-0.10	-0.10	-0.10	-0.10	-0.10	-0.10	-0.10	-0.10	-0.00	-0.05

Ilisan Sales Office (KOREA) +82)31-904-1444  
 Shenzhen Sales Office (CHINA) +86)755-8663-6929  
 Hungary Sales office (EUROPE) +36)30-913-7706

H.K Sales Office (HONGKONG) +852)2711-5551  
 LA Sales Office (USA) +1)866-446-3586

• You can also contact us by e-mail : [coilmaster@coilmaster.com](mailto:coilmaster@coilmaster.com)

- All specifications are subject to change without notice.
- Update date : 2020.09.17

[www.coilmaster.com](http://www.coilmaster.com)