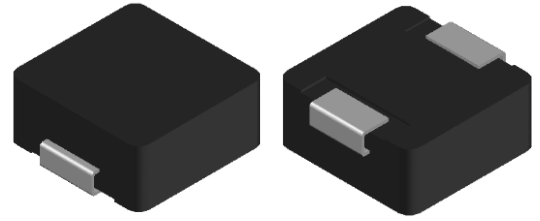


# CMI-CMMPP13055LL-SERIES

## Features

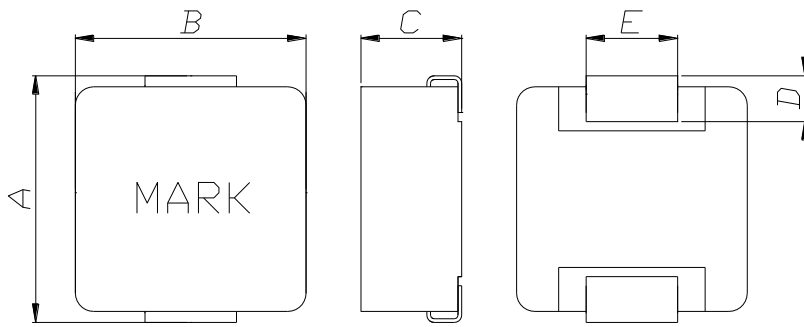
- ▶ High current and low profile
- ▶ Metal powder molding type for EMC protection.
- ▶ Available tape and reel for auto insertion.
- ▶ Halogen-Free / RoHS compliant.
- ▶ AEC-Q200 qualified.



## Applications

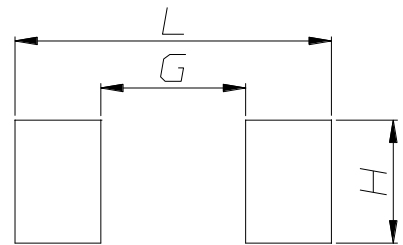
- ▶ Equipment using for automobiles (ECM, Airbags, Headlights, Electronic Power steering, Motors, ABS, other)

### Dimension (Unit:mm)



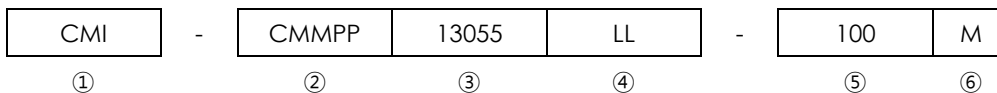
| A         | B        | C       | D       | E       |
|-----------|----------|---------|---------|---------|
| 13.65±0.5 | 12.6±0.4 | 5.5 Max | 2.5±0.5 | 5.0±0.2 |

### Land Pattern (Unit:mm)



| L    | G   | H   |
|------|-----|-----|
| 15.0 | 7.0 | 5.5 |

## Regulation of part number



- ① CoilMaster's initial
- ② Series Name : Car Magic Material Pin type Power inductor
- ③ Core Size (unit:mm)
- ④ Material
- ⑤ Typical inductance value (10uH)
- ⑥ Inductance tolerance (±20%)

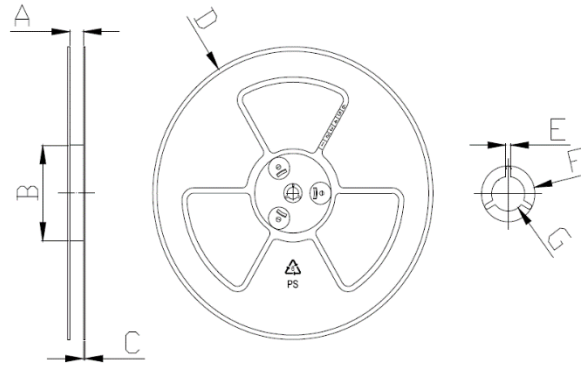
• You can also contact us by e-mail : [coilmaster@coilmaster.com](mailto:coilmaster@coilmaster.com)  
 • All specifications are subject to change without notice.  
 • Update date : 2021.06.28



## Packaging

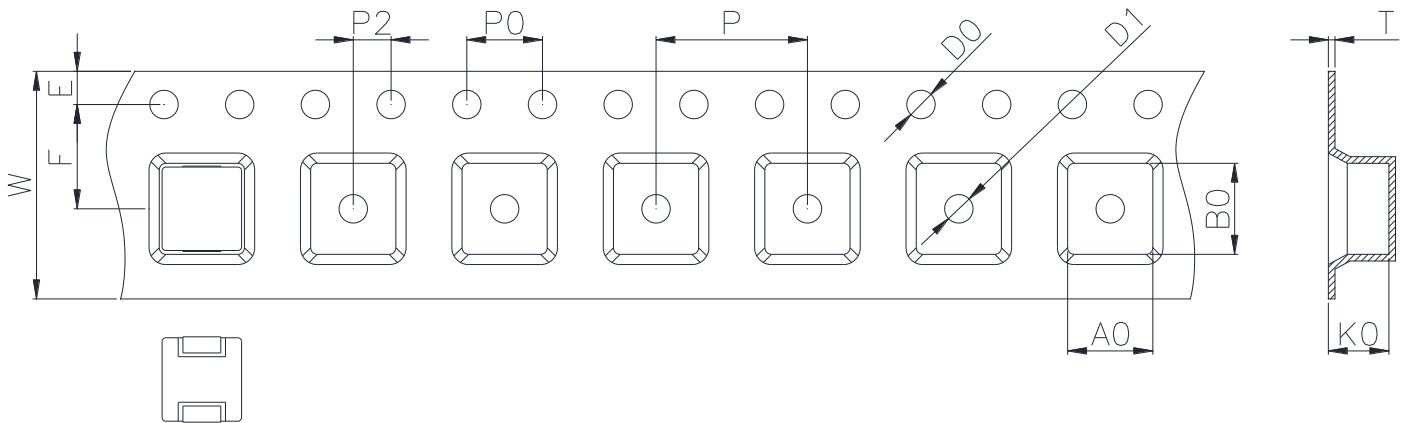
(1) Package quantity : 350 (pcs/reel)

(2) Reel Dimensions (unit:mm)



| A     | B     | C     | D     | E     | F     | G     |
|-------|-------|-------|-------|-------|-------|-------|
| 24.50 | 100.0 | 2.30  | 330.0 | 2.30  | 21.50 | 13.00 |
| +0.50 | +1.00 | +0.20 | +3.00 | +0.30 | +0.30 | +0.50 |
| -0.50 | -1.00 | -0.20 | -3.00 | -0.30 | -0.30 | -0.20 |

(3) Tape Dimensions



| W     | A0    | B0    | K0    | E     | F     | P     | P0    | P2    | D0/D1 | T     |
|-------|-------|-------|-------|-------|-------|-------|-------|-------|-------|-------|
| 24.00 | 13.00 | 14.20 | 5.80  | 1.75  | 11.50 | 20.00 | 4.00  | 2.00  | 1.50  | 0.40  |
| +0.30 | +0.10 | +0.10 | +0.15 | +0.10 | +0.10 | +0.10 | +0.10 | +0.10 | +0.10 | +0.05 |
| -0.10 | -0.10 | -0.00 | -0.10 | -0.10 | -0.10 | -0.10 | -0.10 | -0.10 | -0.00 | -0.05 |

Ilisan Sales Office (KOREA) +82)31-904-1444  
 Shenzhen Sales Office (CHINA) +86)755-8663-6929  
 Hungary Sales office (EUROPE) +36)30-913-7706

H.K Sales Office (HONGKONG) +852)2711-5551  
 LA Sales Office (USA) +1)866-446-3586

• You can also contact us by e-mail : [coilmaster@coilmaster.com](mailto:coilmaster@coilmaster.com)

- All specifications are subject to change without notice.
- Update date : 2021.06.28

[www.coilmaster.com](http://www.coilmaster.com)