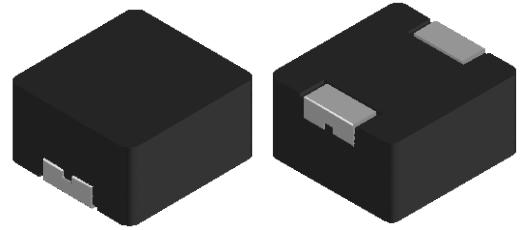


CMI-CMMPP12070LH-SERIES

Features

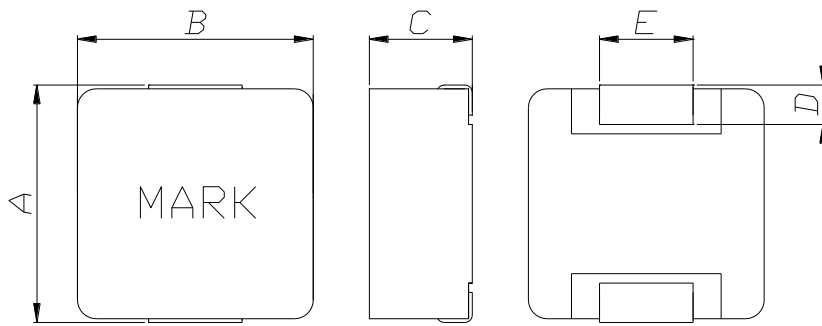
- ▶ High current and low profile
- ▶ Metal powder molding type for EMC protection.
- ▶ Available tape and reel for auto insertion.
- ▶ Halogen-Free / RoHS compliant.
- ▶ AEC-Q200 qualified.



Applications

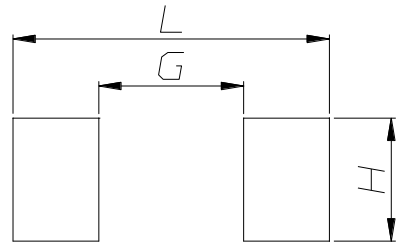
- ▶ Equipment using for automobiles (ECM, Airbags, Headlights, Electronic Power steering, Motors, ABS, other)

Dimension (Unit:mm)



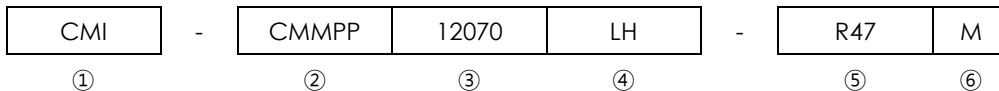
A	B	C	D	E
12.65±0.5	12.6±0.4	7.0 Max	2.0±0.5	5.0±0.2

Land Pattern (Unit:mm)



L	G	H
14.2	6.5	5.5

Regulation of part number



- ① CoilMaster's initial
- ② Series Name : Car Magic Material Pin type Power inductor
- ③ Core Size (unit:mm)
- ④ Material
- ⑤ Typical inductance value (0.47 uH)
- ⑥ Inductance tolerance (±20%)

- You can also contact us by e-mail : coilmaster@coilmaster.com
- All specifications are subject to change without notice.
- Update date : 2021.03.17

Specifications

Part Number	Inductance (uH) ±20%	DCR(mohm) Max.(Typ.)	IDC1(A) Max.(Typ.)	IDC2(A) Max.(Typ.)	Test Frequency (Hz)
CMI-CMMPP12070LH-R47M	0.47	1.4(1.2)	60.00(70.00)	36.50(37.50)	1M
CMI-CMMPP12070LH-1R0M	1.0	1.8(1.5)	45.00(50.00)	34.00(35.00)	1M
CMI-CMMPP12070LH-1R5M	1.5	3.3(2.8)	43.00(48.00)	28.00(29.00)	1M
CMI-CMMPP12070LH-2R2M	2.2	4.0(3.3)	35.00(37.00)	26.50(27.50)	1M
CMI-CMMPP12070LH-3R3M	3.3	6.5(5.4)	34.00(36.00)	22.00(23.00)	1M
CMI-CMMPP12070LH-4R7M	4.7	10.5(9.0)	26.00(28.00)	16.00(17.00)	1M
CMI-CMMPP12070LH-6R8M	6.8	11.4(9.5)	24.00(26.00)	15.00(16.00)	1M
CMI-CMMPP12070LH-100M	10	16.0(13.2)	18.00(20.00)	11.00(11.50)	1M
CMI-CMMPP12070LH-150M	15	30.0(25.0)	12.00(14.00)	10.00(10.50)	1M
CMI-CMMPP12070LH-220M	22	38.0(32.0)	11.00(12.00)	8.00(8.50)	1M
CMI-CMMPP12070LH-330M	33	58.0(50.0)	10.00(11.00)	7.50(8.00)	1M

- IDC1: When based on the inductance change rate (approximately 30% below in the initial value)
- IDC2: When based on the temperature increase (Temperature increase of approximately 40°C by self heating)
- Operating Temperature Range(including self temperature) : -40°C ~ +165 °c

Note 1 : Circuit design, component placement, PCB trace size and thickness, airflow and other cooling. Provision all affect the part Temperature. Part temperature should be verified in the end application.

• You can also contact us by e-mail : coilmaster@coilmaster.com

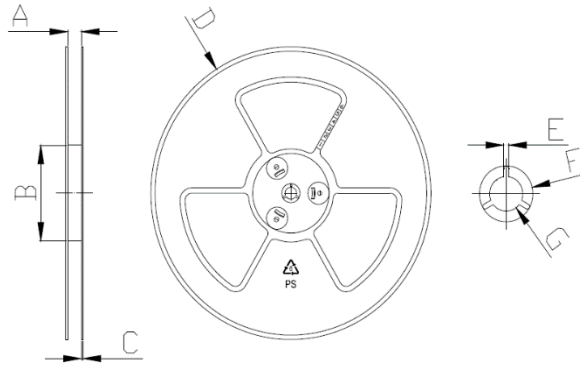
- All specifications are subject to change without notice.
- Update date : 2021.03.17

www.coilmaster.com

Packaging

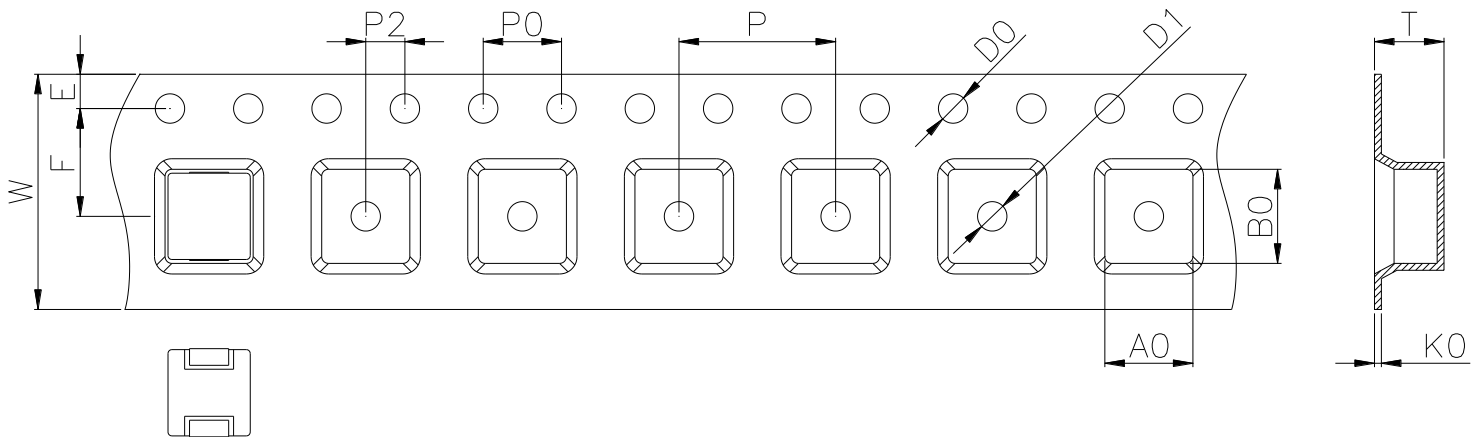
(1) Package quantity : 300 (pcs/reel)

(2) Reel Dimensions (unit:mm)



A	B	C	D	E	F	G
24.50	100.0	2.30	330.0	2.30	21.50	13.00
+0.50	+1.00	+0.20	+3.00	+0.30	+0.30	+0.50
-0.50	-1.00	-0.20	-3.00	-0.30	-0.30	-0.20

(3) Tape Dimensions



W	A0	B0	K0	E	F	P	P0	P2	D0/D1	T
24.00	13.00	14.20	7.30	1.75	11.50	20.00	4.00	2.00	1.50	0.40
+0.30	+0.10	+0.10	+0.15	+0.10	+0.10	+0.10	+0.10	+0.10	+0.10	+0.05
-0.30	-0.10	-0.00	-0.10	-0.10	-0.10	-0.10	-0.10	-0.10	-0.00	-0.05

Ilisan Sales Office (KOREA) +82)31-904-1444
 Shenzhen Sales Office (CHINA) +86)755-8663-6929
 Hungary Sales office (EUROPE) +36)30-913-7706

H.K Sales Office (HONGKONG) +852)2711-5551
 LA Sales Office (USA) +1)866-446-3586

• You can also contact us by e-mail : coilmaster@coilmaster.com

- All specifications are subject to change without notice.
- Update date : 2021.03.17

www.coilmaster.com