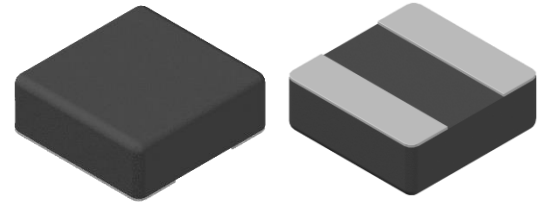


CMI-CMMP5020HL-SERIES

Features

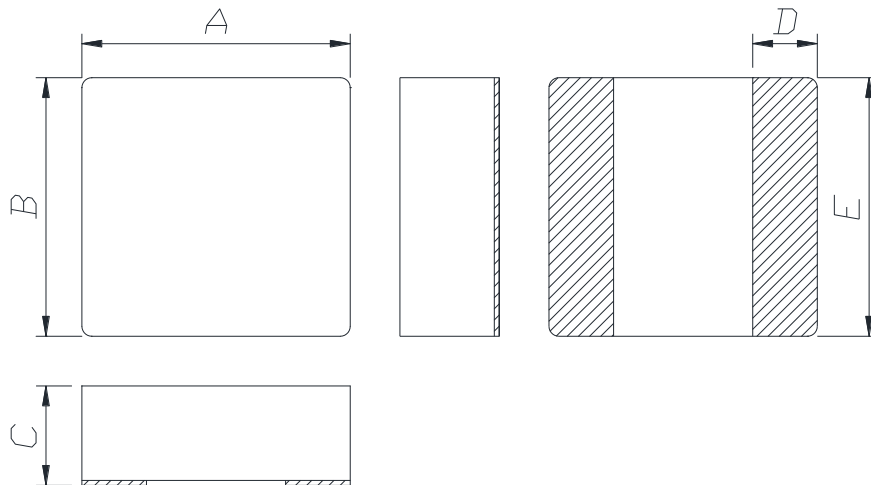
- ▶ Low profile, Compact design.
- ▶ Metal powder molding type for EMC protection.
- ▶ Available tape and reel for auto insertion.
- ▶ Halogen-Free / RoHS compliant.
- ▶ AEC-Q200 qualified.



Applications

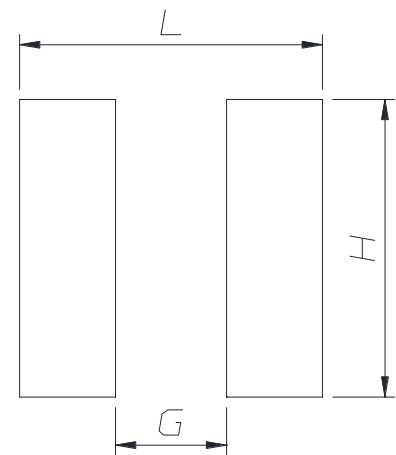
- ▶ Car navigation, Car stereo and Car accessories, ADAS ECU, In-C-Vehicle camera (View camera, Sensing camera), Automotive communication module.

Dimension (Unit:mm)



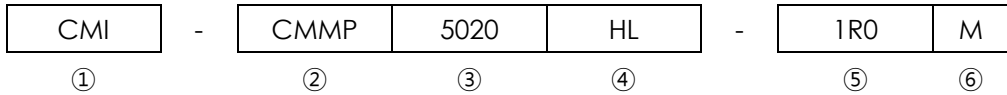
| A | B | C | D | E |
|---------|---------|----------|---------|---------|
| 5.4±0.3 | 5.2±0.3 | 2.0 Max. | 1.3±0.3 | 5.2±0.3 |

Land Pattern (Unit:mm)



| L | G | H |
|-----|-----|-----|
| 6.0 | 2.2 | 5.9 |

Regulation of part number



- ① CoilMaster's initial
- ② Series Name : Car Metal Molded Power inductor
- ③ Core Size (unit:mm)
- ④ Type
- ⑤ Typical inductance value (1.0uH)
- ⑥ Inductance tolerance (±20%)

Specifications

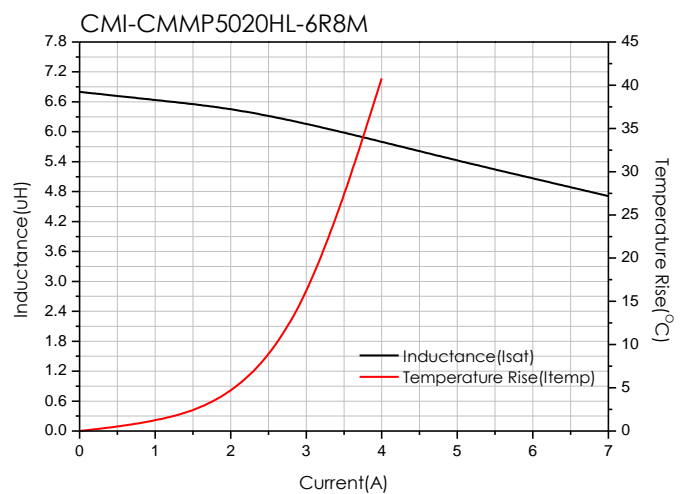
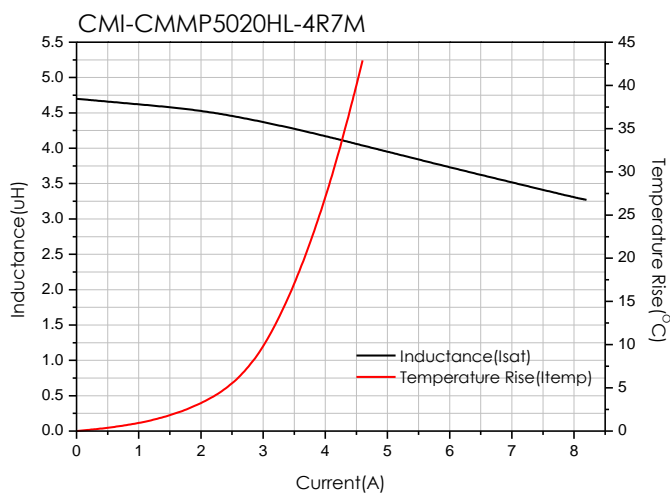
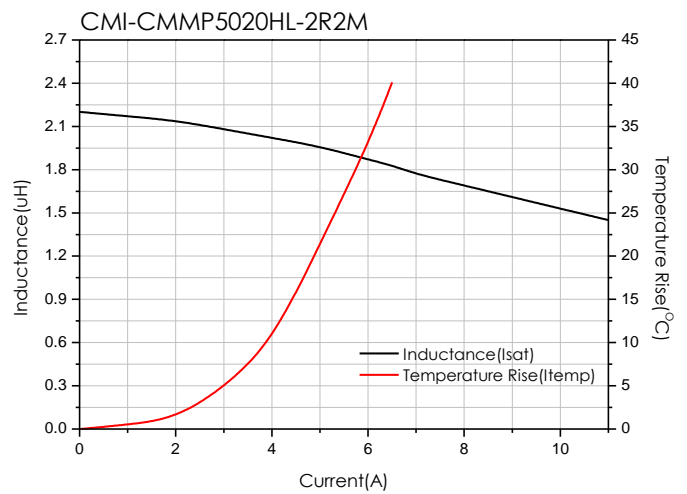
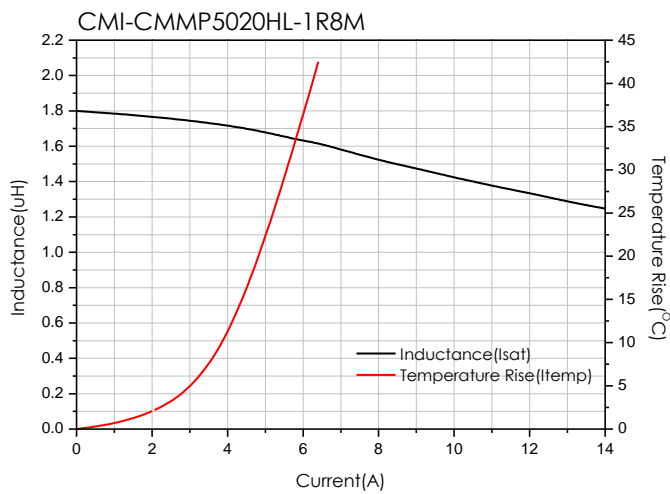
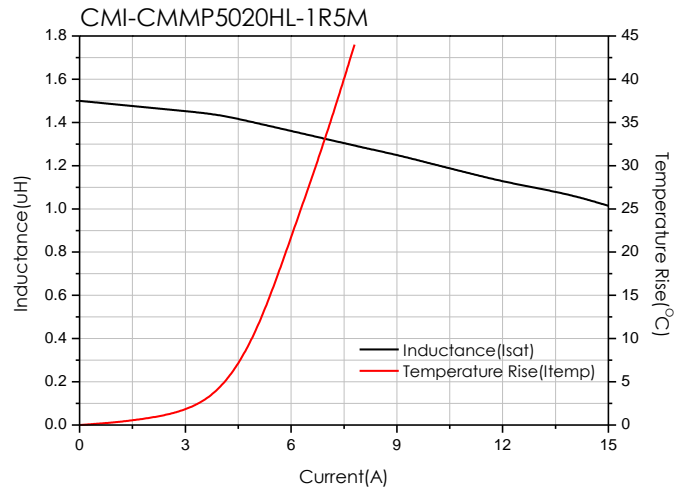
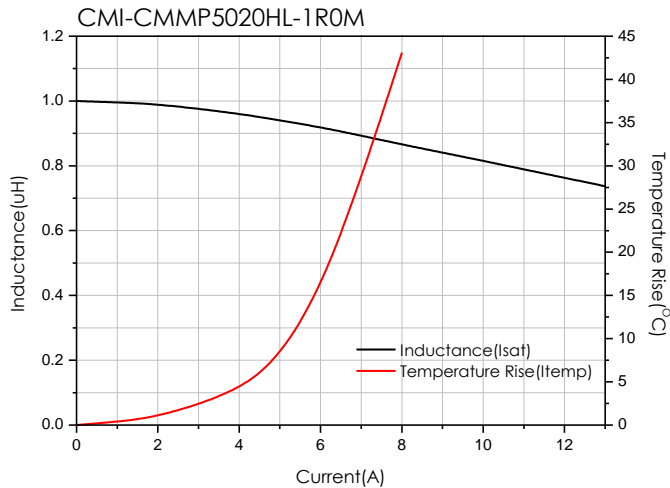
| Part Number | Inductance (uH) ±20% | DCR(mohm) Max.(Typ.) | Isat(A) Max.(Typ.) | Itemp(A) Max.(Typ.) | Test Frequency (Hz) |
|---------------------|-------------------------|-------------------------|-----------------------|------------------------|---------------------------|
| CMI-CMMP5020HL-1R0M | 1.0 | 16.8(14) | 11.0(12.0) | 7.7(8.5) | 1M |
| CMI-CMMP5020HL-1R5M | 1.5 | 26.4(22) | 10.0(11.0) | 6.4(7.0) | 1M |
| CMI-CMMP5020HL-1R8M | 1.8 | 30(25) | 9.0(10.0) | 5.5(6.0) | 1M |
| CMI-CMMP5020HL-2R2M | 2.2 | 36(30) | 7.0(8.0) | 5.8(6.4) | 1M |
| CMI-CMMP5020HL-4R7M | 4.7 | 66(55) | 6.0(7.0) | 4.0(4.4) | 1M |
| CMI-CMMP5020HL-6R8M | 6.8 | 108(90) | 4.7(5.2) | 3.5(3.9) | 1M |
| | | | | | |
| | | | | | |
| | | | | | |
| | | | | | |
| | | | | | |
| | | | | | |
| | | | | | |
| | | | | | |
| | | | | | |
| | | | | | |
| | | | | | |
| | | | | | |
| | | | | | |
| | | | | | |

- Isat: When based on the inductance change rate (approximately 30% below in the initial value)
- Itemp: When based on the temperature increase (Temperature increase of approximately 40°C by self heating)
- Operating Temperature Range(including self temperature) : -40°C ~ +150 °C

Note 1 : Circuit design, component placement, PCB trace size and thickness, airflow and other cooling. Provision all affect the part Temperature. Part temperature should be verified in the end application.

▪ **You can also contact us by e-mail : coilmaster@coilmaster.com**
 ▪ All specifications are subject to change without notice.
 ▪ Update date : 2023.05.25

Electrical characteristics

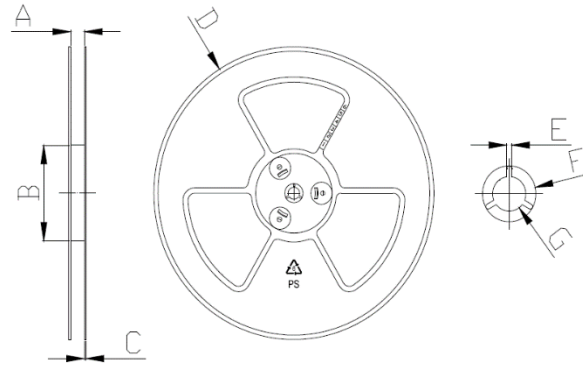


- You can also contact us by e-mail : coilmaster@coilmaster.com
- All specifications are subject to change without notice.
- Update date : 2023.05.25

Packaging

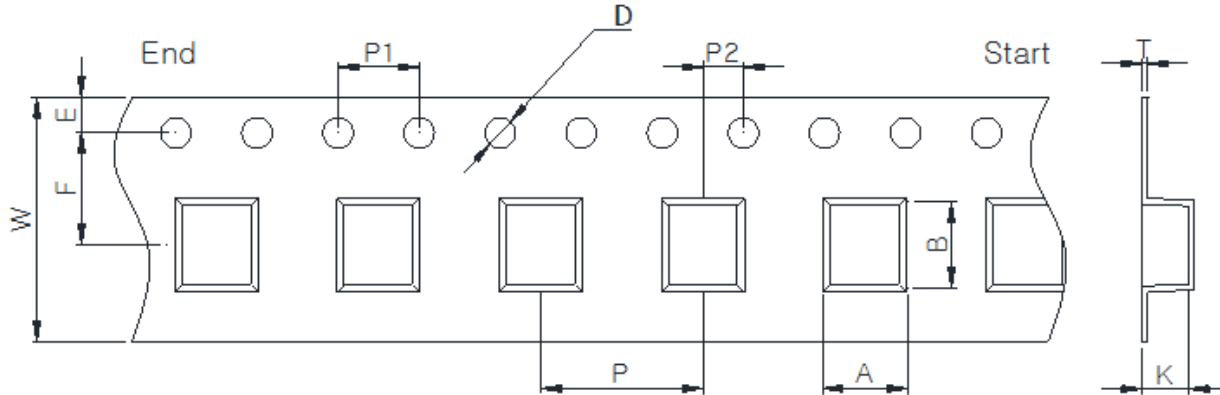
(1) Package quantity : 3,000 (pcs/reel)

(2) Reel Dimensions (unit:mm)



| A | B | C | D | E | F | G |
|-------|-------|-------|-------|-------|-------|-------|
| 12.50 | 100.0 | 2.00 | 330.0 | 1.90 | 21.00 | 13.00 |
| +1.00 | +1.50 | +0.10 | +1.00 | +0.40 | +0.40 | +0.40 |
| -1.00 | -1.50 | -0.10 | -1.00 | -0.40 | -0.40 | -0.40 |

(3) Tape Dimensions



| W | A | B | K | E | F | P | P1 | P2 | D | T |
|-------|-------|-------|-------|-------|-------|-------|-------|-------|-------|-------|
| 12.00 | 5.50 | 5.70 | 2.20 | 1.75 | 5.50 | 8.00 | 4.00 | 2.00 | 1.50 | 0.30 |
| +0.30 | +0.10 | +0.10 | +0.10 | +0.10 | +0.10 | +0.10 | +0.10 | +0.10 | +0.10 | +0.05 |
| -0.10 | -0.10 | -0.10 | -0.10 | -0.10 | -0.10 | -0.10 | -0.10 | -0.10 | -0.00 | -0.05 |

Korea Sales Office (KOREA) +82)31-904-1444
 China Sales Office (CHINA) +86)0758-683-1444
 Hungary Sales office (EUROPE) +36)1-404-5832

H.K Sales Office (HONGKONG) +852)2711-5551
 LA Sales Office (USA) +1)714-616-6989

• You can also contact us by e-mail : coilmaster@coilmaster.com

- All specifications are subject to change without notice.
- Update date : 2023.05.25

www.coilmaster.com