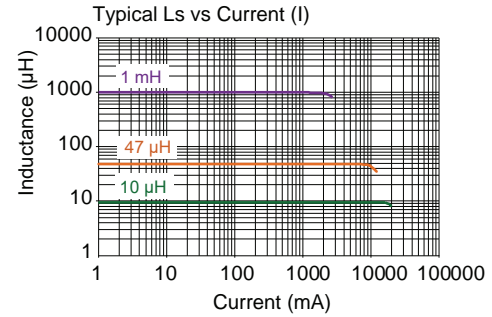
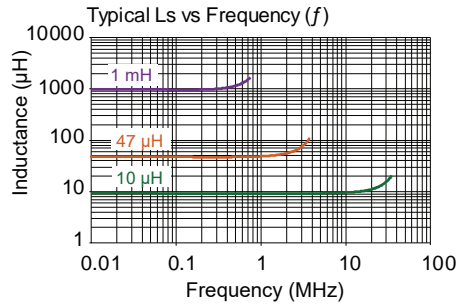
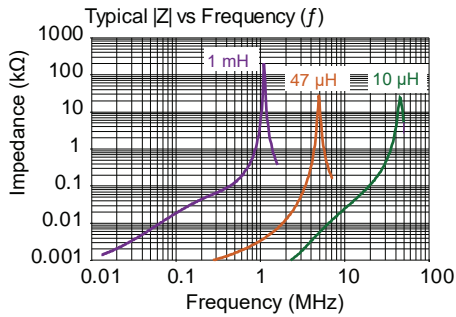
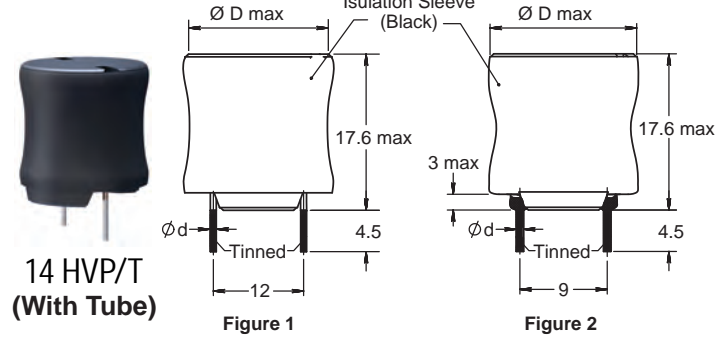
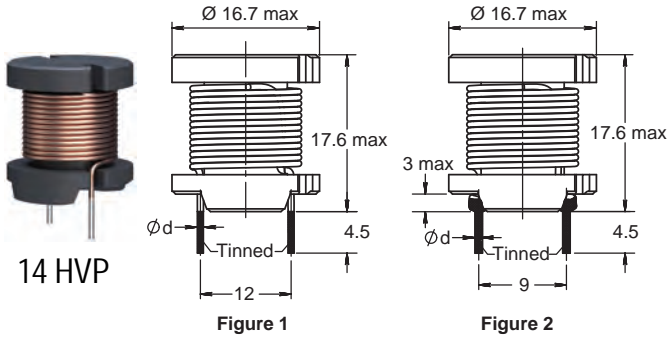


14 HVP, 14 HVP/T

For High Voltages up to 600V DC



(Pin Type Coils)



Pluggable Inductors

Part No	Inductance		f _L (kHz)	Tol ± (%)	SRF typ (MHz)	Rated DC Current (A)		Dimensions		Figure	
	L (µH)					I _{sat} typ	I _{max}	Ø d max	14 HVP/T Ø D max		
14HVP-100M-50	10		10 @ 50 mV	20	35	0.050	14.00	8.40	0.68	17.3	1
14HVP-120M-50	12		10 @ 50 mV	20	25	0.055	14.00	7.60	0.68	17.3	1
14HVP-150M-50	15		10 @ 50 mV	20	25	0.060	14.00	6.80	0.68	17.3	1
14HVP-180M-50	18		10 @ 50 mV	20	15	0.070	12.00	5.60	0.68	17.3	1
14HVP-220M-50	22		10 @ 50 mV	20	15	0.075	11.20	5.60	0.68	17.3	1
14HVP-270M-50	27		10 @ 50 mV	20	10	0.085	9.60	5.20	0.68	17.3	1
14HVP-330M-50	33		10 @ 50 mV	20	8.0	0.095	8.80	5.20	0.68	17.3	1
14HVP-390M-50	39		10 @ 50 mV	20	5.0	0.100	7.75	5.00	0.68	17.3	1
14HVP-470M-50	47		10 @ 50 mV	20	4.0	0.120	7.25	5.00	0.63	17.3	1
14HVP-560M-50	56		10 @ 50 mV	20	4.0	0.125	6.80	5.00	0.63	17.3	1
14HVP-680M-50	68		10 @ 50 mV	20	3.5	0.130	6.20	4.80	0.63	17.3	1
14HVP-820M-50	82		10 @ 50 mV	20	3.0	0.165	6.05	4.50	0.63	17.3	1
14HVP-101M-50	100		10 @ 50 mV	20	2.55	0.165	5.60	4.50	0.63	17.3	1
14HVP-121M-50	120		10 @ 50 mV	20	2.20	0.185	4.90	4.30	0.63	17.3	1
14HVP-151M-50	150		10 @ 50 mV	20	2.20	0.200	4.85	3.80	0.63	17.3	1
14HVP-181M-50	180		10 @ 50 mV	20	2.00	0.200	4.30	3.25	0.63	17.3	1
14HVP-221M-50	220		10 @ 50 mV	20	2.00	0.200	4.20	3.00	0.63	17.3	1
14HVP-271M-50	270		10 @ 50 mV	20	1.55	0.260	3.60	3.00	0.58	17.3	1
14HVP-331M-50	330		10 @ 50 mV	20	1.40	0.300	3.30	2.90	0.58	17.3	1
14HVP-391M-50	390		10 @ 50 mV	20	1.30	0.330	3.10	2.60	0.58	17.3	1
14HVP-471M-50	470		10 @ 50 mV	20	1.20	0.360	2.60	2.50	0.80	17.3	2
14HVP-561M-50	560		10 @ 50 mV	20	1.00	0.445	2.40	2.30	0.80	17.3	2
14HVP-681M-50	680		10 @ 50 mV	20	0.95	0.505	2.25	2.00	0.80	17.3	2
14HVP-821M-50	820		10 @ 50 mV	20	0.85	0.555	2.00	1.75	0.80	17.6	2
14HVP-102M-50	1000		10 @ 50 mV	20	0.85	0.640	1.80	1.60	0.80	17.6	2

Core Material: Ferrite

Revision date: 07 Mar 2024

SPQ:	Packaging Form	10 Trays / Box
	Radial	200 [-50]

Remarks: Additional gluing to PCB board is recommended.

• All dimensions in mm