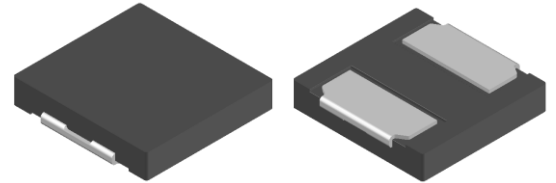


CMI-MMPP6012HL-SERIES

Features

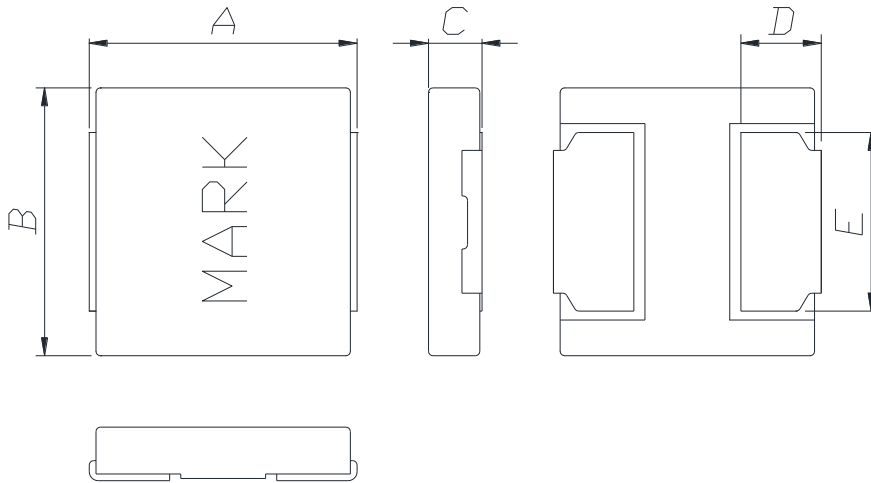
- ▶ Low profile
- ▶ Metal powder molding type for EMC protection.
- ▶ Available tape and reel for auto insertion.
- ▶ Halogen-Free / RoHS compliant.



Applications

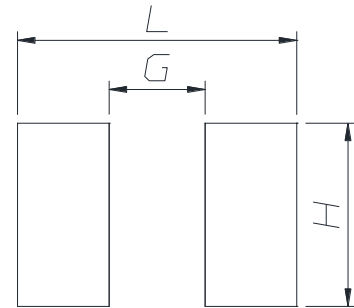
- ▶ For DC/DC converter, AV equipment digital consumer electronics

Dimension (Unit:mm)



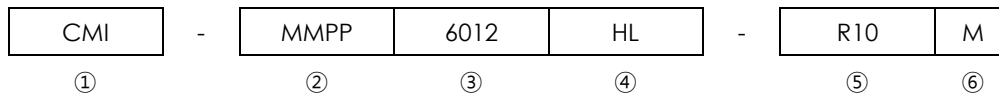
A	B	C	D	E
6.0±0.35	6.0±0.2	1.2 Max	1.8±0.2	4.0±0.2

Land Pattern (Unit:mm)



L	G	H
6.4	2.4	4.2

Regulation of part number



- ① CoilMaster's initial
- ② Series Name : Metal Molded Pin type Power inductor
- ③ Core Size (unit:mm)
- ④ Material
- ⑤ Typical inductance value (0.1uH)
- ⑥ Inductance tolerance ($\pm 20\%$)

Specifications

Part Number	Inductance (uH) $\pm 20\%$	DCR(mohm) Max.(Typ.)	Isat(A) Max.(Typ.)	Itemp(A) Max.(Typ.)	Test Frequency (Hz)
CMI-MMPP6012HL-R10M	0.10	5.4(4.5)	30.0(32.0)	13.0(14.0)	1M
CMI-MMPP6012HL-R15M	0.15	6.6(5.5)	25.0(27.0)	11.0(12.0)	1M
CMI-MMPP6012HL-R47M	0.47	14.4(12)	12.0(14.0)	8.0(9.0)	1M
CMI-MMPP6012HL-1R0M	1.0	30(25)	9.0(10.0)	5.8(6.0)	1M
CMI-MMPP6012HL-2R2M	2.2	72(60)	6.0(7.0)	4.5(4.8)	1M
CMI-MMPP6012HL-3R3M	3.3	108(90)	5.0(5.5)	3.0(3.2)	1M
CMI-MMPP6012HL-4R7M	4.7	132(110)	4.0(4.5)	2.5(2.7)	1M
CMI-MMPP6012HL-6R8M	6.8	192(160)	3.5(4.0)	2.1(2.3)	1M
CMI-MMPP6012HL-100M	10	312(260)	2.7(3.0)	1.8(1.9)	1M

- Isat: When based on the inductance change rate (approximately 30% below in the initial value)
- Itemp: When based on the temperature increase (Temperature increase of approximately 40°C by self heating)
- Operating Temperature Range(including self temperature) : -40°C ~ +125 °C

Note 1 : Circuit design, component placement, PCB trace size and thickness, airflow and other cooling. Provision all affect the part Temperature. Part temperature should be verified in the end application.

▪ **You can also contact us by e-mail : coilmaster@coilmaster.com**

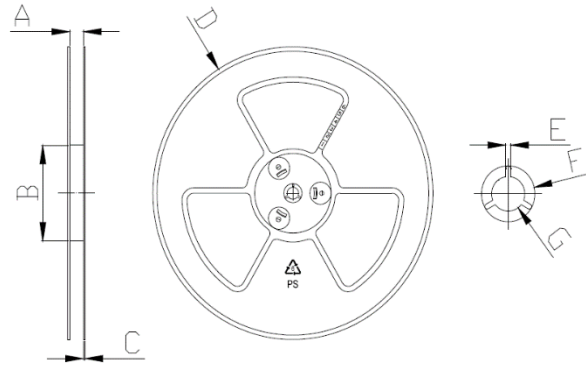
- All specifications are subject to change without notice.
- Update date : 2023.06.23

www.coilmaster.com

Packaging

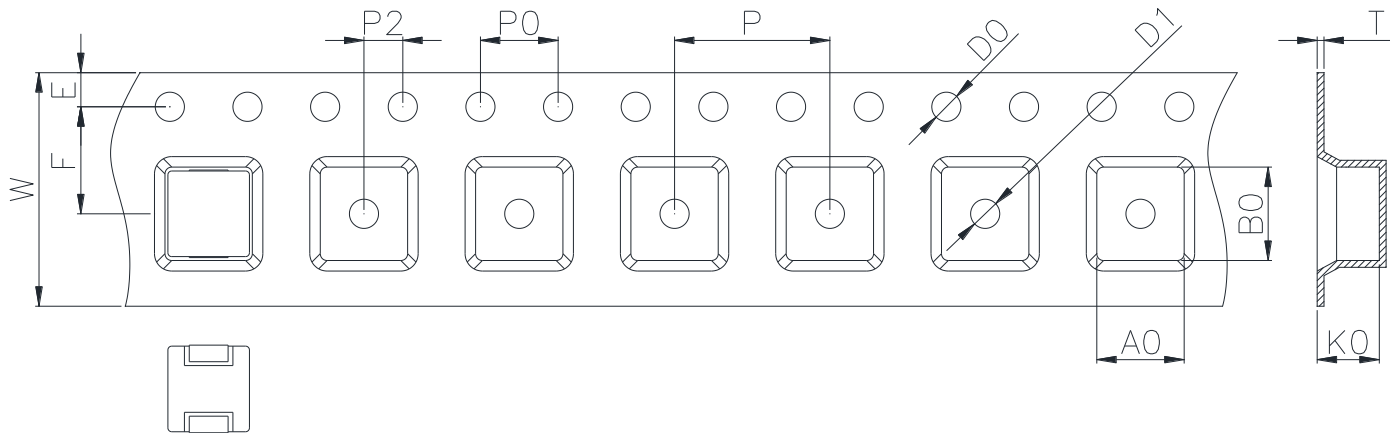
(1) Package quantity : 4,000 (pcs/reel)

(2) Reel Dimensions (unit:mm)



A	B	C	D	E	F	G
16.50	100.0	2.00	330.0	2.30	21.50	13.00
+0.50	+1.00	+0.10	+3.00	+0.30	+0.30	+0.50
-0.50	-1.00	-0.10	-3.00	-0.30	-0.30	-0.20

(3) Tape Dimensions



W	A0	B0	K0	E	F	P	P0	P2	D0/D1	T
16.00	6.35	6.50	1.40	1.75	7.50	8.00	4.00	2.00	1.50	0.30
+0.30	+0.10	+0.10	+0.10	+0.10	+0.10	+0.10	+0.10	+0.10	+0.10	+0.05
-0.30	-0.10	-0.00	-0.10	-0.10	-0.10	-0.10	-0.10	-0.10	-0.00	-0.05

Korea Sales Office (KOREA) +82)31-904-1444
 China Sales Office (CHINA) +86)0758-683-1444
 Hungary Sales office (EUROPE) +36)1-404-5832

H.K Sales Office (HONGKONG) +852)2711-5551
 LA Sales Office (USA) +1)714-616-6989

• You can also contact us by e-mail : coilmaster@coilmaster.com

- All specifications are subject to change without notice.
- Update date : 2023.06.23

www.coilmaster.com