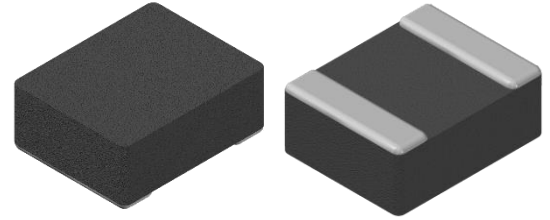


CMI-CMMP252010BS-SERIES

Features

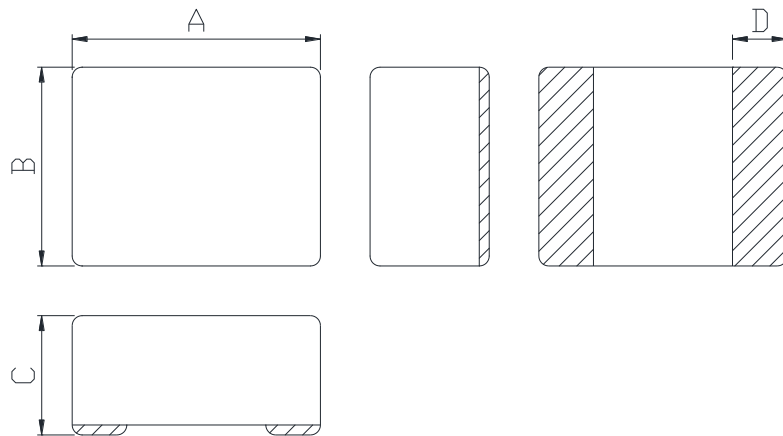
- ▶ Small size, Low profile, Compact design.
- ▶ Metal powder molding type for EMC protection.
- ▶ Available tape and reel for auto insertion.
- ▶ Halogen-Free / RoHS compliant.
- ▶ AEC-Q200 qualified.



Applications

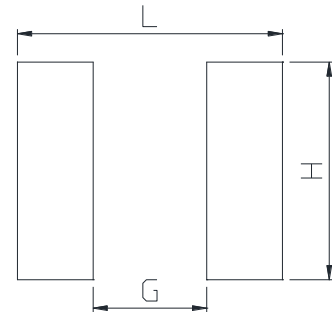
- ▶ Car navigation, Car stereo and Car accessories, ADAS ECU, In-C-Vehicle camera (View camera, Sensing camera), Automotive communication module.

Dimension (Unit:mm)



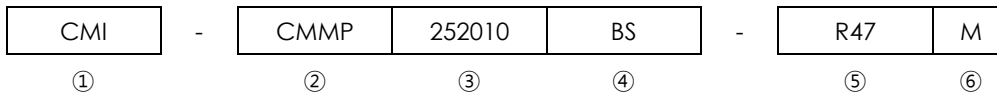
A	B	C	D
2.5±0.2	2.0±0.2	1.0 Max.	0.55±0.25

Land Pattern (Unit:mm)



L	G	H
2.8	1.2	2.3

Regulation of part number



- ① CoilMaster's initial
- ② Series Name : Car Metal Molded Power inductor
- ③ Core Size (unit:mm)
- ④ Type
- ⑤ Typical inductance value (0.47uH)
- ⑥ Inductance tolerance (±20%)

Specifications

Part Number	Inductance (uH) ±20%	DCR(mohm) Max.(Typ.)	Isat(A) Max.(Typ.)	Itemp(A) Max.(Typ.)	Test Frequency (Hz)
CMI-CMMP252010BS-R24M	0.24	20(17)	8.4(9.2)	6.0(6.3)	1M
CMI-CMMP252010BS-R47M	0.47	38.4(32)	6.6(7.2)	3.3(3.7)	1M
CMI-CMMP252010BS-R68M	0.68	50.4(42)	5.2(5.7)	3.2(3.6)	1M
CMI-CMMP252010BS-1R0M	1.0	66(55)	4.2(4.8)	2.7(3.0)	1M
CMI-CMMP252010BS-1R2M	1.2	80(66)	3.6(4.0)	2.3(2.6)	1M
CMI-CMMP252010BS-1R5M	1.5	90(75)	3.4(3.8)	2.2(2.5)	1M
CMI-CMMP252010BS-2R2M	2.2	120(100)	3.0(3.4)	1.8(2.0)	1M
CMI-CMMP252010BS-3R3M	3.3	174(145)	2.2(2.5)	1.6(1.8)	1M
CMI-CMMP252010BS-4R7M	4.7	288(240)	1.3(1.5)	1.2(1.4)	1M
CMI-CMMP252010BS-6R8M	6.8	360(300)	1.1(1.3)	1.0(1.2)	1M

- Isat: When based on the inductance change rate (approximately 30% below in the initial value)
- Itemp: When based on the temperature increase (Temperature increase of approximately 40°C by self heating)
- Operating Temperature Range(including self temperature) : -40°C ~ +150 °c

Note 1 : Circuit design, component placement, PCB trace size and thickness, airflow and other cooling. Provision all affect the part Temperature. Part temperature should be verified in the end application.

▪ **You can also contact us by e-mail : coilmaster@coilmaster.com**

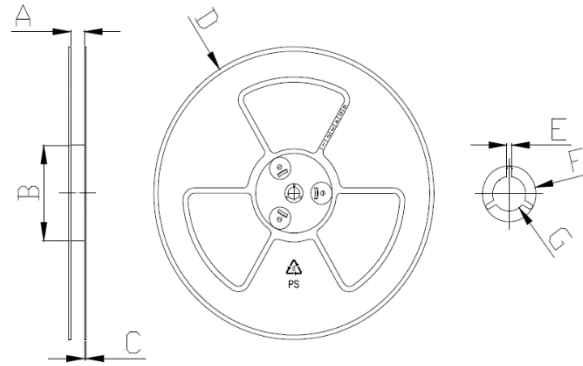
- All specifications are subject to change without notice.
- Update date : 2023.05.25

www.coilmaster.com

Packaging

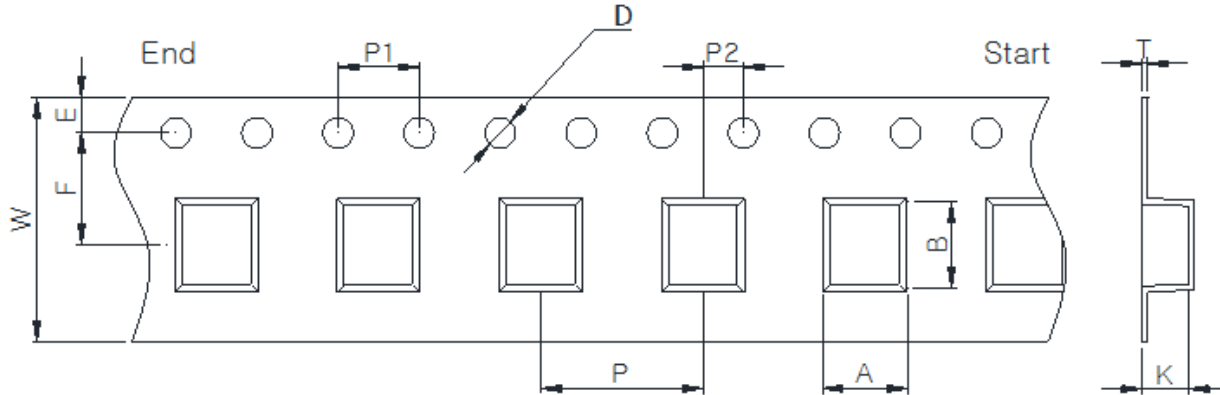
(1) Package quantity : 3,000 (pcs/reel)

(2) Reel Dimensions (unit:mm)



A	B	C	D	E	F	G
8.50	60.0	1.50	178.0	2.70	22.50	13.50
+0.50	+2.00	+0.20	+1.00	+0.30	+0.50	+0.50
-0.50	-2.00	-0.20	-1.00	-0.30	-0.50	-0.50

(3) Tape Dimensions



W	A	B	K	E	F	P	P1	P2	D	T
8.00	2.35	2.80	1.10	1.75	3.50	4.00	4.00	2.00	1.50	0.25
+0.10	+0.10	+0.10	+0.10	+0.15	+0.10	+0.10	+0.10	+0.05	+0.10	+0.05
-0.10	-0.10	-0.10	-0.10	-0.10	-0.10	-0.10	-0.10	-0.05	-0.00	-0.05

Korea Sales Office (KOREA) +82)31-904-1444
 China Sales Office (CHINA) +86)0758-683-1444
 Hungary Sales office (EUROPE) +36)1-404-5832

H.K Sales Office (HONGKONG) +852)2711-5551
 LA Sales Office (USA) +1)714-616-6989

• You can also contact us by e-mail : coilmaster@coilmaster.com

- All specifications are subject to change without notice.
- Update date : 2023.05.25

www.coilmaster.com