

BCN1066C

New Products

RoHS

AEC-Q200



■ Features

- SMD type air core inductor
- Inductance values from 132 nH to 544 nH
- AEC-Q200 qualified

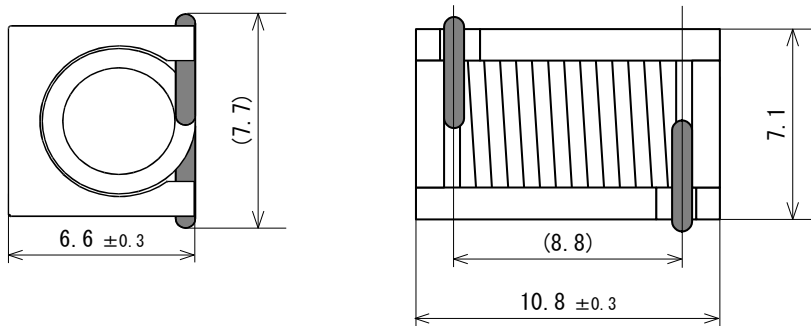
Operating Temperature Range : -40 °C~ +150 °C(include self-heating)

Weight : 0.73 g

■ Application

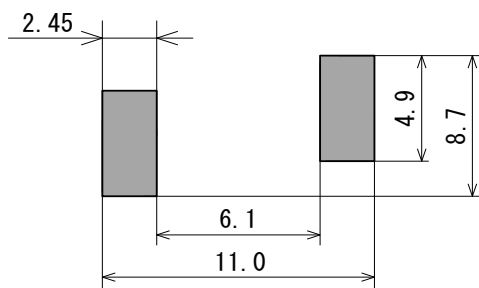
- AudioVisualTV and Monitor
- AutomotiveCar Audio, Car Tuner, Antenna
- Computer & Peripheral DeviceWireless Router
- OthersFA, Energy, Transceivers

■ Dimensions



(Unit : mm)

■ Recommended Land Pattern



SAGAMI ELEC CO., LTD.
<https://www.sagami-elec.co.jp>

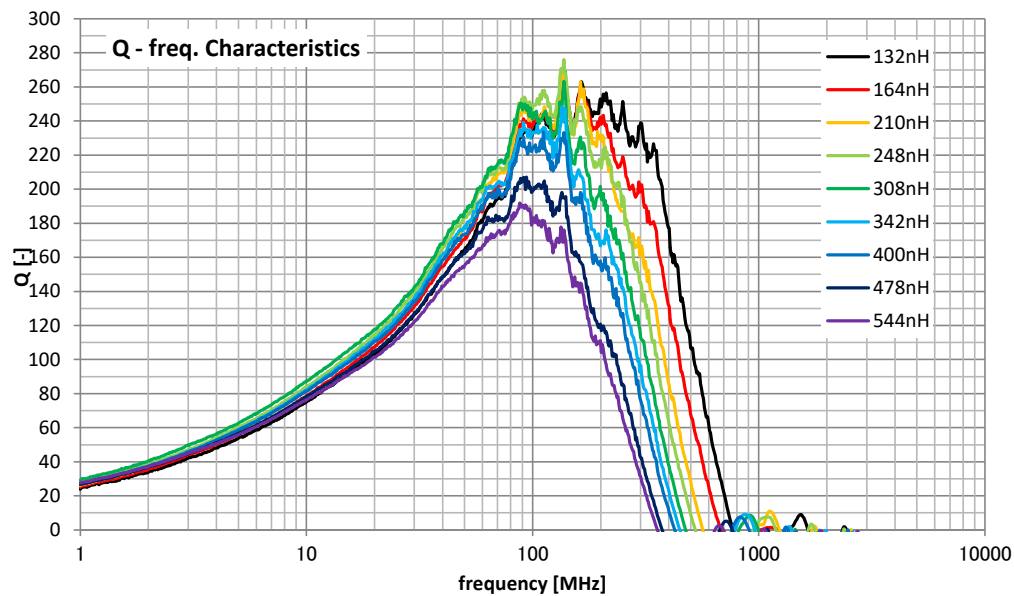
10-30, Ichibashimo-cho, Tsurumi-ku, Yokohama, Kanagawa 230-0024, Japan
Over Seas Sales Dept. TEL : +81 45 511 3141, E-mail : ossg@sagami-elec.co.jp
Engineering Dept. TEL : +81 45 521 4543

⚠ The contents of this catalogue are subject to change without notice.

■ Specifications

SAGAMI Part No.	Inductance (nH)	DCR Resistance (mΩ) ±30%	Self Resonance Frequency (MHz) Typ.	Unloaded Q (-) min.	Teperature rise allowable current (A)
BCN1066C-R13J	132 ±5%	13.0	759	168	6.10
BCN1066C-R16J	164 ±5%	14.0	669	176	5.90
BCN1066C-R21J	210 ±5%	15.0	570	176	5.50
BCN1066C-R24J	248 ±5%	17.0	527	175	5.40
BCN1066C-R30J	308 ±5%	18.0	470	171	5.10
BCN1066C-R34J	342 ±5%	20.0	450	166	4.90
BCN1066C-R40J	400 ±5%	21.0	422	161	4.80
BCN1066C-R47J	478 ±5%	23.0	368	144	4.60
BCN1066C-R54J	544 ±5%	24.0	330	125	4.50
-	-	-	-	-	-

• Inductance & Q Measuring Condition : 100MHz



SAGAMI ELEC CO., LTD.
<https://www.sagami-elec.co.jp>

10-30, Ichibashimo-cho, Tsurumi-ku, Yokohama, Kanagawa 230-0024, Japan
 Over Seas Sales Dept. TEL : +81 45 511 3141, E-mail : ossg@sagami-elec.co.jp
 Engineering Dept. TEL : +81 45 521 4543

△ The contents of this catalogue are subject to change without notice.