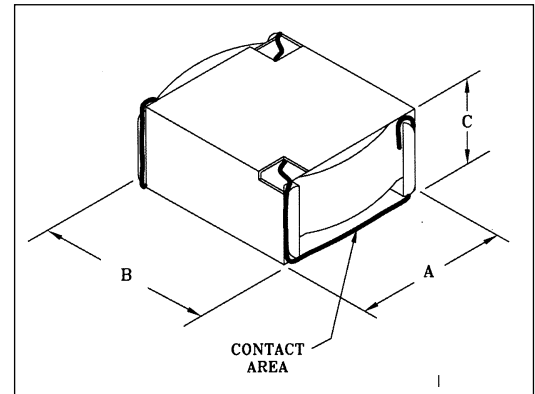


POWER INDUCTORS

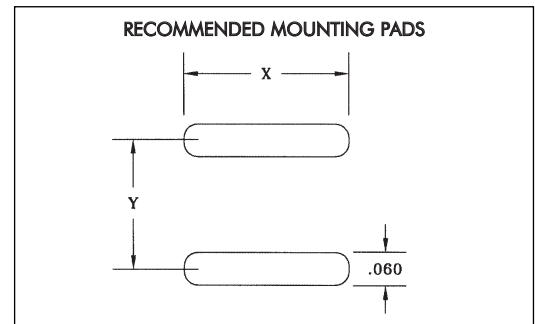
0.7 to 12 Amp TOROIDAL INDUCTORS SELF-LEADED SMT PL7 SERIES

Vanguard P/N	Rated Current DCA, Max	Inductance @ 0 Amps DC $\mu\text{H} \pm 20\%$	Ind. @ Rated Current μH , min	DC Resistance Ω Max	Case Size
PL7-01	0.70	385	240	.750	B203
PL7-02	0.74	570	360	.900	B204
PL7-03	0.75	615	405	1.010	B205
PL7-04	1.00	21	14	.090	B201
PL7-05	1.20	55	38	.150	B202
PL7-06	1.50	95	58	.170	B203
PL7-07	2.50	40	27	.090	B204
PL7-08	2.60	65	41	.130	B205
PL7-09	3.00	1.3	0.95	.011	B201
PL7-10	4.50	5.5	3.5	.015	B202
PL7-11	5.00	8.5	5.0	.016	B203
PL7-12	5.50	12.5	7.5	.016	B204
PL7-13	7.00	15.0	8.5	.016	B205
PL7-14	10.00	8.5	4.0	.010	B204
PL7-15	12.00	2.5	1.5	.006	B205



Case Size	A in. (mm)	B in. (mm)	C in. (mm)	X in. (mm)	Y in. (mm)
B201	0.330 8.4	0.330 8.4	0.240 6.1	0.300 7.6	0.270 6.9
B202	0.425 10.8	0.430 10.9	0.310 7.9	0.400 10.2	0.360 9.1
B203	0.545 13.8	0.550 14.0	0.310 7.9	0.520 13.2	0.460 11.7
B204	0.575 14.6	0.600 15.2	0.350 8.9	0.550 14.0	0.510 13.0
B205	0.650 16.5	0.680 17.3	0.350 8.9	0.620 15.7	0.590 15.0

Tolerances (unless otherwise stated) $\pm .010$ inches, $\pm .25$ mm.



FEATURES & CHARACTERISTICS

- **Installation:** Shape and size are ideal for automatic placement. Compatible with all standard solder installation methods: reflow/flow, wave, infrared, and vapor phase.
- **Insulation Resistance:** 100 megohms minimum
- **Operating Temperature:** -25 °C to +130 °C (wire insulation, Class B)
- **Standard Inductance Tolerance:** $\pm 20\%$, tighter tolerances available. Other inductance values and/or current ratings are available.
- **Temperature Rise:** 45° C maximum above 85° C ambient

