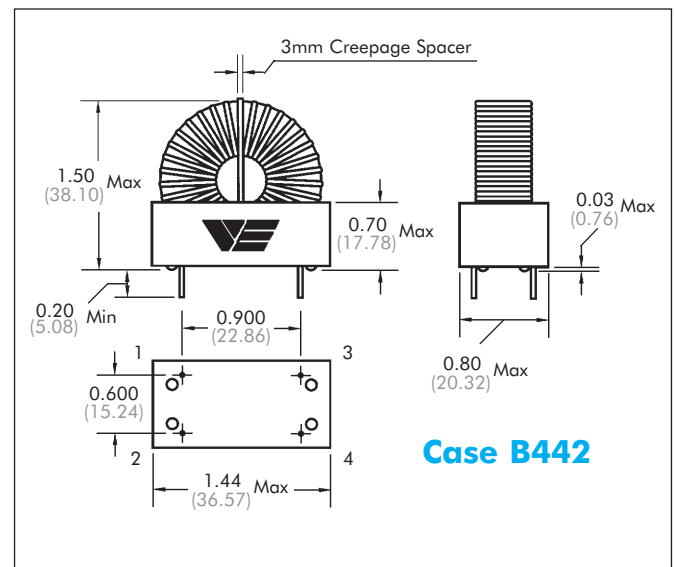
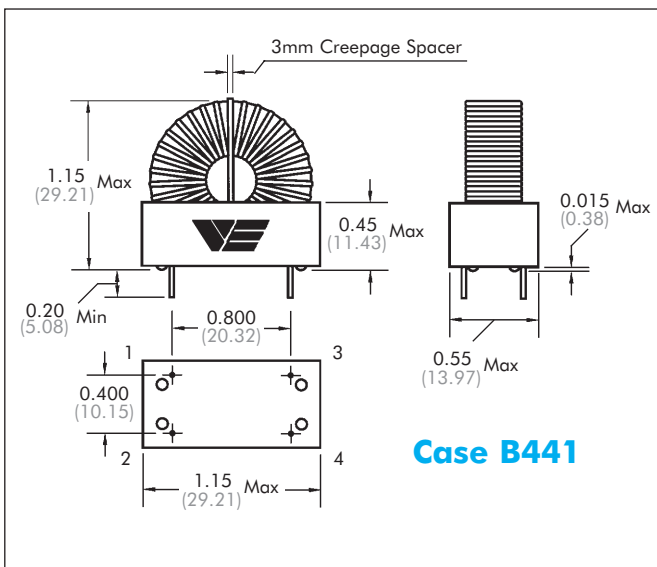


# COMMON MODE INDUCTORS

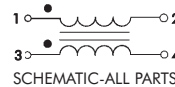
## SMALL FOOTPRINT - VERTICAL MOUNTING EMI INDUCTORS PL22 SERIES

Vanguard P/N	Inductance mH ± 30%	Rated Current Amps, RMS	DC Resistance Milliohms, Max	Package Size	Lead Size AWG
PL22-01	1	6.0	20	B441	19
PL22-02	2	7.5	20	B442	17
PL22-03	3	3.5	60	B441	20
PL22-04	4	5.2	40	B442	19
PL22-05	8	3.2	120	B442	18
PL22-06	10	1.8	240	B441	20
PL22-07	16	2.6	160	B442	18



**NOTES:**

- 1) Dimensions: inches (mm)
- 2) Tolerances: ±.010 inches (±.25 mm) (unless otherwise stated)
- 3) Lead diameters are given in part number table above



### FEATURES & CHARACTERISTICS

- Toroidal cores insure minimal RFI and low external magnetic field.
- **Dielectric Withstanding Voltage:** 1250 Vrms minimum
- **Standard Inductance Tolerance:** ±30%, tighter tolerances available. Other inductance values and/or current ratings are available as options.
- **Electrical Ratings:** Values listed in table are per each winding.
- **Marking:** Vanguard part number, terminal identification, date code.
- See **PL23** series for low profile, horizontal mounting version of these common mode inductors.

