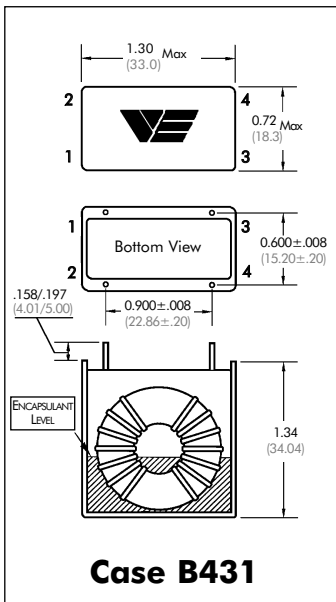


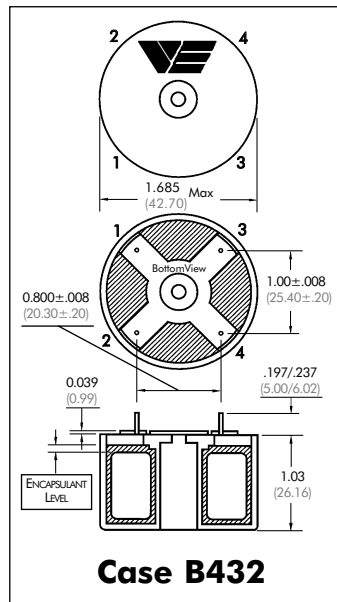
COMMON MODE INDUCTORS

TOROIDAL EMI INDUCTORS PL21 SERIES

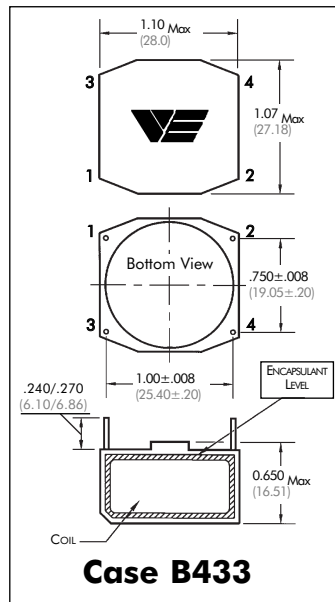
Vanguard P/N	Inductance mH ±30%	Rated Current Amps, RMS	DC Resistance Milliohms, Max	Package Size	Lead Size AWG
PL21-01	1.0	15.0	10	B432	16
PL21-02	1.2	3.15	40	B433	20
PL21-03	1.2	3.15	40	B434	20
PL21-04	1.5	12.5	15	B432	17
PL21-05	1.8	10.0	20	B432	17
PL21-06	2.2	3.15	60	B433	20
PL21-07	2.7	6.3	40	B431	20
PL21-08	3.3	3.15	70	B433	20
PL21-09	3.3	8.0	33	B432	19
PL21-10	3.9	5.0	50	B431	20
PL21-11	5.6	1.0	300	B433	20
PL21-12	5.6	3.15	100	B431	20
PL21-13	15.0	2.0	290	B431	20
PL21-14	18.0	1.0	500	B431	20
PL21-15	33.0	0.5	1,400	B433	20



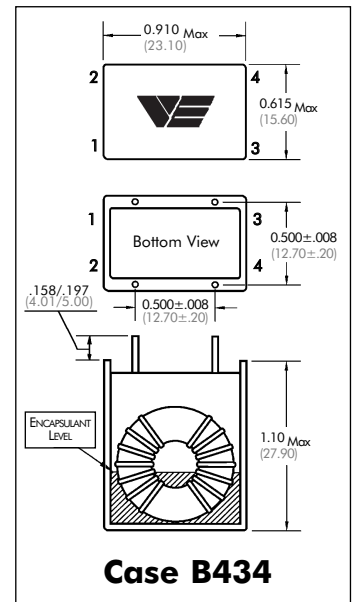
Case B431



Case B432



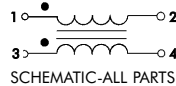
Case B433



Case B434

NOTES:

- 1) Dimensions: inches (mm)
- 2) Tolerances: ±.010 inches (unless otherwise stated)
±.25 mm.
- 3) Lead dimensions are given in part number table above



FEATURES & CHARACTERISTICS

- Toroidal cores insure minimal RFI and low external magnetic field.
- Shape and size are ideal for automatic placement. Can be installed by all standard soldering methods: reflow/flow, wave, infrared, and vapor phase.
- **Standard Inductance Tolerance:** ±30%, tighter tolerances available. Other inductance values and/or current ratings are available as options.
- **Electrical Ratings:** Values listed in table are per each winding.
- **Marking:** Vanguard part number, terminal identification, date code.