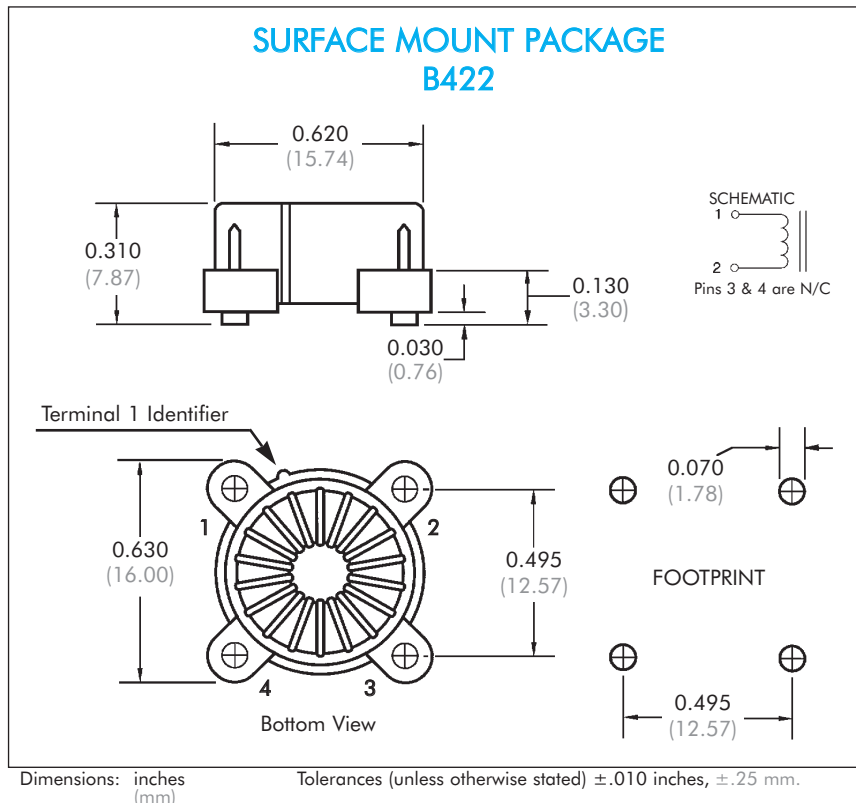


POWER INDUCTORS

LOW PROFILE SURFACE MOUNT TOROIDS PL15 SERIES

Vanguard Part Number	Inductance uH ±10%	D.C. Resistance Ohms Max	Rated D.C. mA
PL15-01	5.0	0.030	2360
PL15-02	5.6	0.033	2160
PL15-03	6.8	0.036	2000
PL15-04	8.2	0.039	1860
PL15-05	10	0.044	1630
PL15-06	12	0.047	1530
PL15-07	15	0.052	1370
PL15-08	18	0.058	1240
PL15-09	20	0.077	1180
PL15-10	22	0.080	1130
PL15-11	25	0.087	1040
PL15-12	27	0.090	1000
PL15-13	30	0.093	960
PL15-14	33	0.096	930
PL15-15	39	0.106	840
PL15-16	47	0.113	765
PL15-17	50	0.117	745
PL15-18	56	0.123	700
PL15-19	68	0.173	635
PL15-20	75	0.182	605
PL15-21	82	0.190	580
PL15-22	100	0.210	520
PL15-23	120	0.224	480
PL15-24	150	0.315	425
PL15-25	180	0.340	395
PL15-26	200	0.460	370
PL15-27	220	0.484	350
PL15-28	250	0.510	330
PL15-29	270	0.670	315
PL15-30	300	0.700	300
PL15-31	330	0.73	290
PL15-32	350	0.75	280
PL15-33	390	0.98	265
PL15-34	470	1.07	245
PL15-35	500	1.10	235
PL15-36	560	1.17	220
PL15-37	680	1.32	200
PL15-38	750	1.40	190
PL15-39	820	1.46	183
PL15-40	1000	2.18	165
PL15-41	1200	2.40	150
PL15-42	1500	2.68	135

Inductance is measured at 0.1Vrms and 10kHz



FEATURES & CHARACTERISTICS

- Other inductance values, tolerances, and current ratings are available
- Compatible with all standard solder installation methods
- Compact, low profile package, ideal for automatic placement
- Toroidal construction assures low external magnetic field
- Operating temperature range :-40°C to +85°C
- Dielectric Withstanding Voltage: 500 Vac
- For the Thru-Hole version of these parts, see PL15-TH Series



VANGUARD ELECTRONICS COMPANY
(310) 323-4100 WWW.VE1.COM

ISO 9002
CERTIFIED

(02/00)

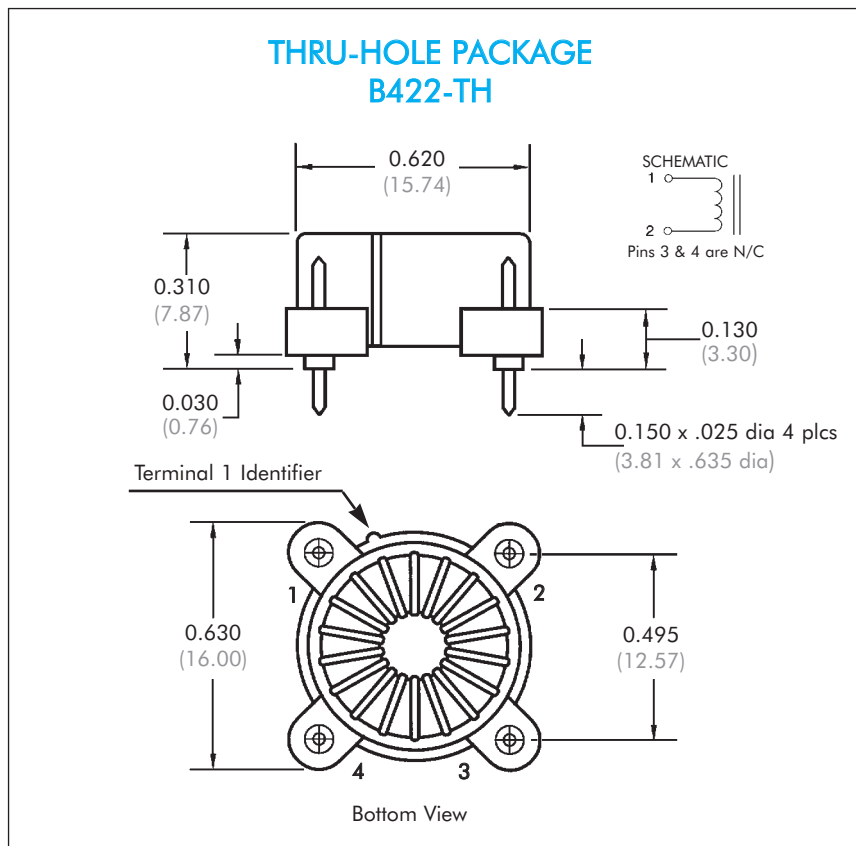
PL15 SERIES

POWER INDUCTORS

LOW PROFILE THRU-HOLE MOUNTING TOROIDS PL15-TH SERIES

Vanguard Part Number	Inductance uH ±10%	D.C. Resistance Ohms Max	Rated D.C. mA
PL15-01TH	5.0	0.030	2360
PL15-02TH	5.6	0.033	2160
PL15-03TH	6.8	0.036	2000
PL15-04TH	8.2	0.039	1860
PL15-05TH	10	0.044	1630
PL15-06TH	12	0.047	1530
PL15-07TH	15	0.052	1370
PL15-08TH	18	0.058	1240
PL15-09TH	20	0.077	1180
PL15-10TH	22	0.080	1130
PL15-11TH	25	0.087	1040
PL15-12TH	27	0.090	1000
PL15-13TH	30	0.093	960
PL15-14TH	33	0.096	930
PL15-15TH	39	0.106	840
PL15-16TH	47	0.113	765
PL15-17TH	50	0.117	745
PL15-18TH	56	0.123	700
PL15-19TH	68	0.173	635
PL15-20TH	75	0.182	605
PL15-21TH	82	0.190	580
PL15-22TH	100	0.210	520
PL15-23TH	120	0.224	480
PL15-24TH	150	0.315	425
PL15-25TH	180	0.340	395
PL15-26TH	200	0.460	370
PL15-27TH	220	0.484	350
PL15-28TH	250	0.510	330
PL15-29TH	270	0.670	315
PL15-30TH	300	0.700	300
PL15-31TH	330	0.73	290
PL15-32TH	350	0.75	280
PL15-33TH	390	0.98	265
PL15-34TH	470	1.07	245
PL15-35TH	500	1.10	235
PL15-36TH	560	1.17	220
PL15-37TH	680	1.32	200
PL15-38TH	750	1.40	190
PL15-39TH	820	1.46	183
PL15-40TH	1000	2.18	165
PL15-41TH	1200	2.40	150
PL15-42TH	1500	2.68	135

Inductance is measured at 0.1Vrms and 10kHz



Dimensions: inches (mm) Tolerances (unless otherwise stated) ±.010 inches, ±.25 mm.

FEATURES & CHARACTERISTICS

- Other inductance values, tolerances, and current ratings are available
- Compatible with all standard solder installation methods
- Compact, low profile package, ideal for automatic placement
- Toroidal construction assures low external magnetic field
- Operating temperature range :-40°C to +85°C
- Dielectric Withstanding Voltage: 500 Vac
- For the surface mount version of these parts, see PL15 Series



VANGUARD ELECTRONICS COMPANY
(310) 323-4100 WWW.VE1.COM

ISO 9002
CERTIFIED

(02/00)

PL15-TH SERIES