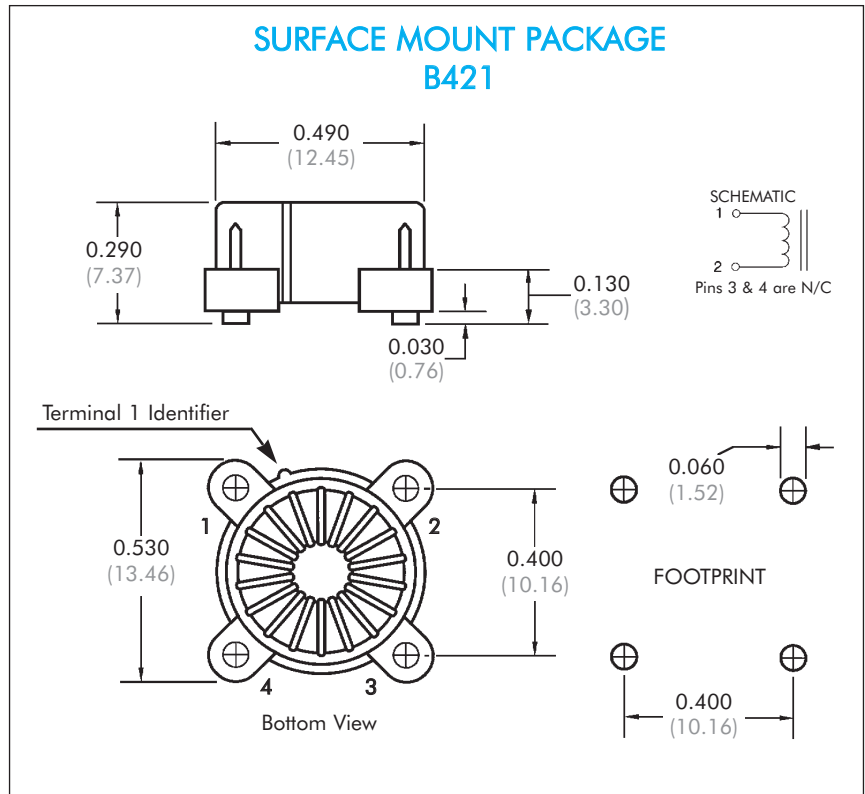


POWER INDUCTORS

LOW PROFILE SURFACE MOUNT TOROIDS PL14 SERIES

Vanguard Part Number	Inductance uH ±10%	D.C. Resistance Ohms Max	Rated D.C. mA
PL14-01	5.0	0.050	1100
PL14-02	5.6	0.053	1050
PL14-03	6.8	0.056	990
PL14-04	8.2	0.065	895
PL14-05	10	0.085	810
PL14-06	12	0.09	745
PL14-07	15	0.10	663
PL14-08	18	0.13	595
PL14-09	20	0.14	570
PL14-10	22	0.15	540
PL14-11	25	0.19	510
PL14-12	27	0.20	497
PL14-13	30	0.21	470
PL14-14	33	0.22	447
PL14-15	39	0.24	406
PL14-16	47	0.33	373
PL14-17	50	0.34	358
PL14-18	56	0.45	344
PL14-19	68	1.00	308
PL14-20	75	1.05	294
PL14-21	82	1.33	284
PL14-22	100	1.48	255
PL14-23	120	1.62	232
PL14-24	150	1.80	208
PL14-25	180	2.48	190
PL14-26	200	2.61	180
PL14-27	220	2.74	172
PL14-28	250	2.92	161
PL14-29	270	3.02	155
PL14-30	300	3.17	147
PL14-31	330	4.39	140
PL14-32	390	4.72	129
PL14-33	470	5.20	117
PL14-34	500	5.33	114
PL14-35	560	5.67	107
PL14-36	680	7.96	97
PL14-37	750	8.35	93
PL14-38	820	8.69	89
PL14-39	1000	9.60	80

Inductance is measured at 0.1Vrms and 10kHz



Dimensions: inches
(mm)

Tolerances (unless otherwise stated) ±.010 inches, ±.25 mm.

FEATURES & CHARACTERISTICS

- Other inductance values, tolerances, and current ratings are available
- Compatible with all standard solder installation methods
- Compact, low profile package, ideal for automatic placement
- Toroidal construction assures low external magnetic field
- Operating temperature range :-40°C to +85°C
- Dielectric Withstanding Voltage: 500 Vac
- For the Thru-Hole version of these parts, see PL14-TH Series



VANGUARD ELECTRONICS COMPANY
(310) 323-4100 WWW.VE1.COM

ISO 9002
CERTIFIED

(02/00)

PL14 SERIES