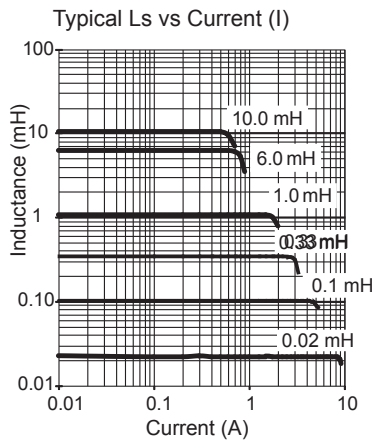
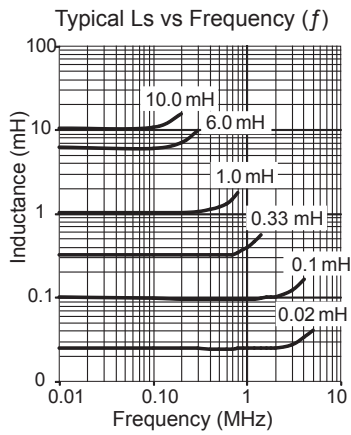
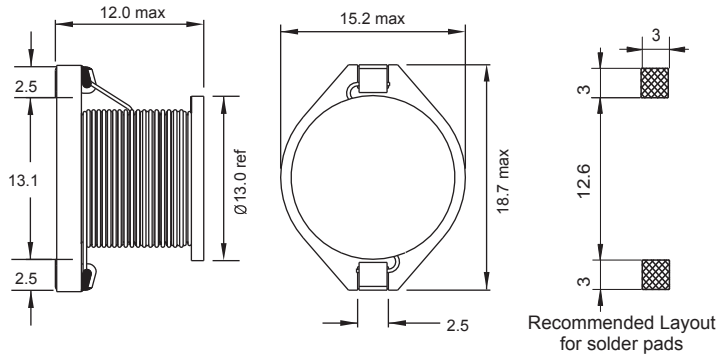


PIST



Part No	Inductance	f _L (MHz)	Tol ± (%)	SRF min (kHz)	DCR max (Ω)	Rated DC Current (A)	
	L (μH)					I _{sat typ}	I _{ΔT = 40°C}
PIST-100X-04	10	0.1/0.1 V	10,20	17000	0.06	11.0	4.50
PIST-150X-04	15	0.1/0.1 V	10,20	12000	0.10	9.00	3.60
PIST-220X-04	22	0.1/0.1 V	10,20	9000	0.10	7.00	2.80
PIST-330X-04	33	0.1/0.1 V	10,20	9000	0.12	6.70	2.50
PIST-470X-04	47	0.1/0.1 V	10,20	5700	0.13	6.00	2.20
PIST-680X-04	68	0.1/0.1 V	10,20	5000	0.15	5.00	2.00
PIST-820X-04	82	0.1/0.1 V	10,20	4200	0.15	4.80	1.90
PIST-101X-04	100	0.1/0.1 V	10,20	3900	0.20	4.10	1.60
PIST-151X-04	150	0.1/0.1 V	10,20	3500	0.22	3.60	1.60
PIST-221X-04	220	0.1/0.1 V	10,20	2600	0.34	3.00	1.20
PIST-271X-04	270	0.1/0.1 V	10,20	2500	0.40	2.60	1.10
PIST-301X-04	300	0.1/0.1 V	10,20	2000	0.39	2.10	1.20
PIST-331X-04	330	0.1/0.1 V	10,20	2000	0.70	2.00	0.92
PIST-471X-04	470	0.1/0.1 V	10,20	2000	0.95	1.64	0.87
PIST-681X-04	680	0.1/0.1 V	10,20	1650	1.15	1.40	0.70
PIST-102X-04	1000	0.1/0.1 V	10,20	1100	1.50	1.15	0.65
PIST-302X-04	3000	0.1/0.1 V	10,20	630	3.50	0.90	0.50
PIST-472X-04	4700	0.1/0.1 V	10,20	500	4.80	0.78	0.40
PIST-602X-04	6000	0.1/0.1 V	10,20	470	6.00	0.70	0.30
PIST-802X-04	8000	0.1/0.1 V	10,20	410	8.00	0.60	0.26
PIST-103X-04	10000	0.1/0.1 V	10,20	300	10.5	0.39	0.24

Core Material :

Ferrite, Plastic moulded base.

Terminal clip with lead-free tinned surface for SMT-Reflow soldering.

SPQ : Taped / Reel 200 [-04]

Remarks : I_{sat} & I_{ΔT} - see description in inductors Technical Data.

Revision date : 07 Aug 2014

SMD Power Inductors