

CTLVC8040F Series

From 0.9µH to 820µH



SPECIFICATIONS

Please specify inductance tolerance code when ordering.

CTLVC8040F-2R0_ ← M = ±20%, N = ±30%

*Isat: DC current (A) that will cause L to drop approximately 30%.

**Irms: DC current (A) that will cause an approximate ΔT of 40°C.

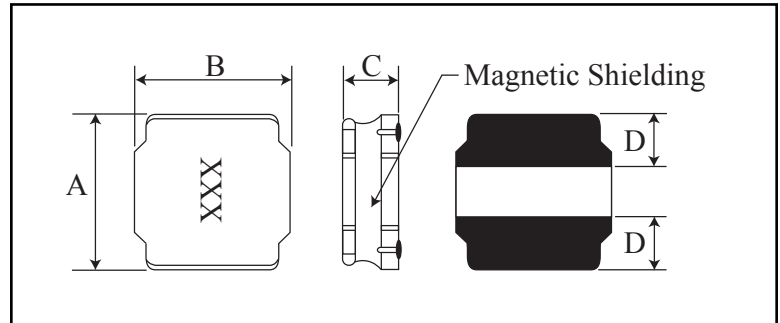
Part Number	Inductance (µH)	L Test Freq. (kHz)	DCR ±30% (mΩ)	*Isat Typ.(Max.) (A)	**Irms Typ.(Max.) (A)
CTLVC8040F-R90N	0.9	100	7	13.8(12.42)	8.05(7.24)
CTLVC8040F-1R0N	1.0	100	7.5	13.0(11.70)	7.95(7.15)
CTLVC8040F-1R4N	1.4	100	9	10.8(9.72)	7.8(7.02)
CTLVC8040F-1R5N	1.5	100	9.5	10.0(9.00)	7.7(6.93)
CTLVC8040F-2R0_	2.0	100	11	9.6(8.64)	7.4(6.66)
CTLVC8040F-2R2_	2.2	100	11.5	9.2(8.28)	7.2(6.48)
CTLVC8040F-2R5_	2.5	100	13	8.2(7.38)	6.3(5.67)
CTLVC8040F-3R3_	3.3	100	15	7.5(6.75)	6.0(5.40)
CTLVC8040F-4R7_	4.7	100	18	6.0(5.40)	5.5(4.95)
CTLVC8040F-5R6_	5.6	100	23	5.7(5.13)	5.2(4.68)
CTLVC8040F-6R8_	6.8	100	25	5.4(4.86)	5.1(4.59)
CTLVC8040F-100_	10	100	38	4.3(3.87)	3.8(3.42)
CTLVC8040F-120_	12	100	45	3.8(3.42)	3.5(3.15)
CTLVC8040F-150_	15	100	50	3.6(3.24)	3.2(2.88)
CTLVC8040F-180_	18	100	68	3.1(2.79)	2.7(2.43)
CTLVC8040F-220_	22	100	80	2.8(2.52)	2.6(2.34)
CTLVC8040F-330_	33	100	110	2.3(2.07)	2.0(1.80)
CTLVC8040F-470_	47	100	160	1.9(1.71)	1.75(1.57)
CTLVC8040F-680_	68	100	240	1.7(1.53)	1.45(1.30)
CTLVC8040F-101_	100	100	340	1.4(1.26)	1.10(0.99)
CTLVC8040F-121_	120	100	425	1.1(0.99)	1.0(0.90)
CTLVC8040F-151_	150	100	480	1.0(0.90)	0.9(0.81)
CTLVC8040F-221_	220	100	670	0.94(0.84)	0.60(0.54)
CTLVC8040F-271_	270	100	900	0.83(0.74)	0.55(0.49)
CTLVC8040F-821_	820	100	2800	0.40(0.36)	0.38(0.34)

CHARACTERISTICS

- Description:** SMD power inductors sealed with magnetic resin.
- Applications:** Smart phones, DSC, Tablet PC's, DC/DC converters, etc.
- Operating Temperature:** -55°C to 125°C (including self - temperature rise)
- Inductance Tolerance:** ±20%, ±30%
- Testing:** Inductance is tested on an HP4284A at 100kHz, 1V
- Packaging:** Tape & Reel.
- Marking:** Parts are marked with inductance code.
- Miscellaneous:** **RoHS Compliant.**
- Additional Information:** Additional electrical & physical information available upon request.
- Samples available. See website for ordering information.**

PHYSICAL DIMENSIONS

Size	A	B	C	D
mm	8.0±0.2	8.0±0.2	4.0±0.2, -0.3	2.3±0.3
inches	0.315±0.008	0.315±0.008	0.157±0.008, -0.012	0.091±0.012



PAD LAYOUT

