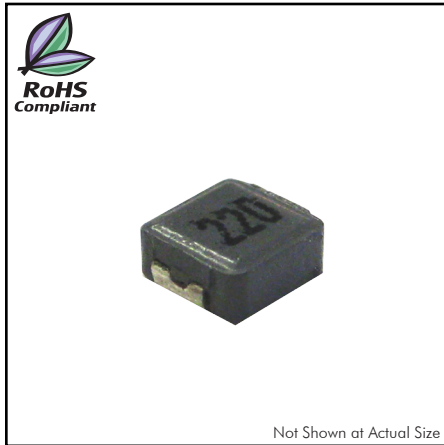


CTIHLP1808AF Series

From .10µH to 22µH



SPECIFICATIONS

Part numbers indicate inductance tolerance available.

M = ±20%, N = ±30%

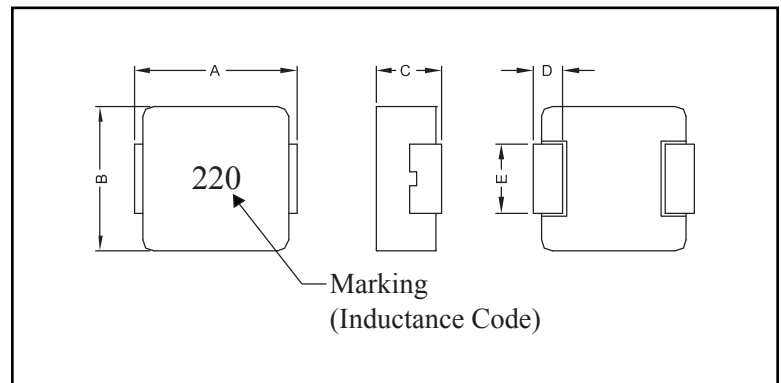
*I_{rms}: Will cause the coil temp. rise approximately ΔT of 40°C (keep 1 min.)

**I_{sat}: Will cause L0 to drop 20%

Part Number	Inductance (µH)	DCR Typ. (mΩ)	DCR Max. (mΩ)	*I _{rms} Typ. (A)	**I _{sat} Typ. (A)
CTIHLP1808AF-R10N	0.10	3.2	4.0	12	35
CTIHLP1808AF-R18N	0.18	4.6	5.4	13.5	28
CTIHLP1808AF-R22N	0.22	6.6	7.3	13	24
CTIHLP1808AF-R33M	0.33	7.8	8.6	10	18
CTIHLP1808AF-R36M	0.36	8.7	12	9.0	15
CTIHLP1808AF-R47M	0.47	11.2	14	8.0	12
CTIHLP1808AF-R56M	0.56	13.5	16	7.3	10
CTIHLP1808AF-R68M	0.68	16	19	7	10
CTIHLP1808AF-1R0M	1.0	22	27	5.0	8.5
CTIHLP1808AF-1R2M	1.2	25	30	4.8	7.8
CTIHLP1808AF-1R5M	1.5	34.8	42	4.5	7.0
CTIHLP1808AF-2R2M	2.2	51	61	4.0	6.0
CTIHLP1808AF-3R3M	3.3	69	76	3.5	4.0
CTIHLP1808AF-4R7M	4.7	95	105	2.6	3.5
CTIHLP1808AF-5R6M	5.6	112	125	2.2	3.0
CTIHLP1808AF-6R8M	6.8	150	172	2.1	2.8
CTIHLP1808AF-8R2M	8.2	158	180	2.0	2.5
CTIHLP1808AF-100M	10	215	243	1.8	2.3
CTIHLP1808AF-150M	15	325	374	1.5	1.9
CTIHLP1808AF-220M	22	470	500	1.2	1.4

PHYSICAL DIMENSIONS

Size	A	B	C	D	E
mm	4.45±0.25	4.06±0.25	1.8±0.2	0.76±0.30	2.0±0.20
inches	0.18±0.010	0.16±0.010	0.07±0.008	0.03±0.012	0.08±0.008



CHARACTERISTICS

Description: SMD shielded power inductor

Applications: Notebook, desktop, server applications, low profile, high current power supplies, battery powered devices, DC/DC converter for Field Programmable Gate Array (FPGA)

Operating Temperature: -40°C to +125°C

Storage Temperature: -40°C to +125°C

Part Temperature (Ambient+Temp. Rise): Should not exceed 125°C under worst case operating conditions

Test Frequency: 100kHz, 1.0V

Packaging: Tape & Reel

Marking: Parts are marked with inductance code

Miscellaneous: RoHS Compliant

Additional Information: Additional electrical & physical information available upon request

Samples available. See website for ordering information.

PAD LAYOUT

