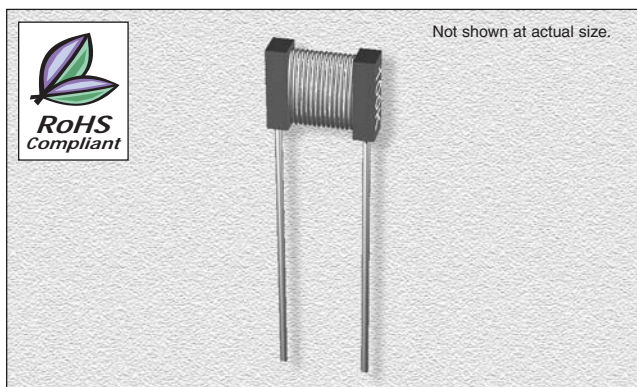


CTFCF Series

From 1.0 μH to 10,000 μH

SPECIFICATIONS



CHARACTERISTICS

Operating Temperature: -20°C to +100°C

Inductance Tolerance: K = $\pm 10\%$

Packaging: Bulk pack, 500 parts per bag

Marking: Stamped with Inductance code.

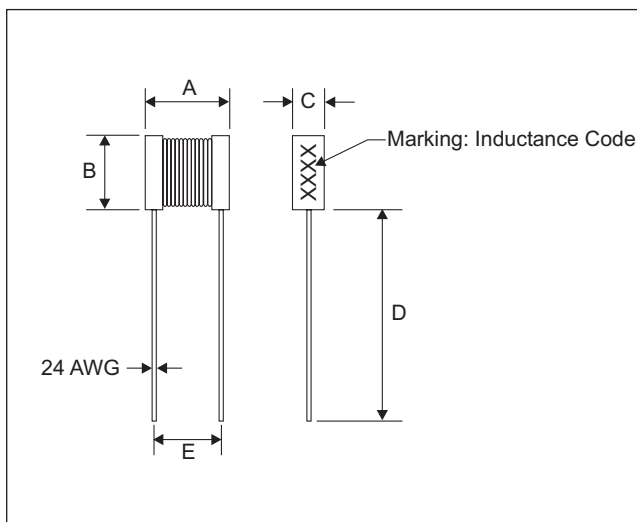
Testing: Tested on an HP4285A at specified frequency

Leads: Soft copper and pre-tinned

Miscellaneous: RoHS Compliant.

PHYSICAL DIMENSIONS

Size	A Max.	B	C	D Typ.	E	24 AWG Nom.
mm	10.1	8.90 \pm 1.30	3.81 \pm 0.76	25.4	8.90 \pm 1.30	0.5110
inches	0.40	0.35 \pm 0.05	0.15 \pm 0.03	1.00	0.35 \pm 0.05	0.02010



Part Number	Inductance (μH)	Q Factor Min.	DCR Max. (Ω)	Test Freq. (MHz)	Rated DC Max. (A)
CTFCF-1R0K	1.0	85	.01	7.9	7.0
CTFCF-1R2K	1.2	39	.01	7.9	6.0
CTFCF-1R5K	1.5	33	.01	7.9	5.0
CTFCF-1R8K	1.8	37	.02	7.9	4.8
CTFCF-2R2K	2.2	38	.02	7.9	4.4
CTFCF-2R5K	2.5	40	.03	7.9	4.1
CTFCF-2R7K	2.7	43	.03	7.9	4.0
CTFCF-3R3K	3.3	35	.03	7.9	3.7
CTFCF-3R9K	3.9	37	.05	7.9	3.4
CTFCF-4R7K	4.7	37	.05	7.9	3.2
CTFCF-5R0K	5.0	40	.08	7.9	2.9
CTFCF-5R6K	5.6	38	.09	7.9	2.8
CTFCF-6R8K	6.8	29	.11	7.9	2.6
CTFCF-7R6K	7.3	30	.11	7.9	2.5
CTFCF-8R2K	8.2	32	.11	7.9	2.2
CTFCF-100K	10	80	.19	7.9	2.1
CTFCF-120K	12	40	.14	2.5	2.0
CTFCF-150K	15	40	.16	2.5	1.6
CTFCF-180K	18	40	.18	2.5	1.6
CTFCF-220K	22	40	.23	2.5	1.4
CTFCF-250K	25	50	.50	2.5	1.3
CTFCF-270K	27	50	.28	2.5	1.3
CTFCF-330K	33	45	.34	2.5	1.2
CTFCF-390K	39	45	.37	2.5	1.1
CTFCF-470K	47	45	.50	2.5	1.0
CTFCF-500K	50	40	1.1	2.5	1.0
CTFCF-560K	56	40	.69	2.5	.95
CTFCF-680K	68	40	.81	2.5	.90
CTFCF-750K	75	40	1.2	2.5	.86
CTFCF-820K	82	50	1.2	2.5	.86
CTFCF-101K	100	80	1.6	.79	.70
CTFCF-121K	120	70	1.7	.79	.65
CTFCF-151K	150	70	1.8	.79	.60
CTFCF-181K	180	70	2.1	.79	.58
CTFCF-221K	220	50	2.1	.79	.49
CTFCF-251K	250	40	2.7	.79	.49
CTFCF-271K	270	50	2.5	.79	.45
CTFCF-331K	330	50	3.3	.79	.41
CTFCF-391K	390	45	3.4	.79	.39
CTFCF-471K	470	40	5.3	.79	.35
CTFCF-501K	500	35	3.3	.79	.34
CTFCF-561K	560	40	5.4	.79	.32
CTFCF-681K	680	45	5.9	.79	.29
CTFCF-751K	750	30	4.2	.79	.28
CTFCF-821K	820	40	6.3	.79	.27
CTFCF-102K	1000	70	8.6	.25	.21
CTFCF-122K	1200	70	10	.25	.21
CTFCF-152K	1500	62	14	.25	.19
CTFCF-182K	1800	62	16	.25	.17
CTFCF-222K	2200	60	18	.25	.15
CTFCF-252K	2500	60	18	.25	.14
CTFCF-272K	2700	60	19	.25	.14
CTFCF-332K	3300	50	22	.25	.13
CTFCF-392K	3900	50	26	.25	.12
CTFCF-472K	4700	50	29	.25	.11
CTFCF-502K	5000	45	31	.25	.10
CTFCF-602K	6000	35	31	.25	.10
CTFCF-752K	7500	25	50	.25	.08
CTFCF-103K	10000	25	70	.25	.07

08.28.08