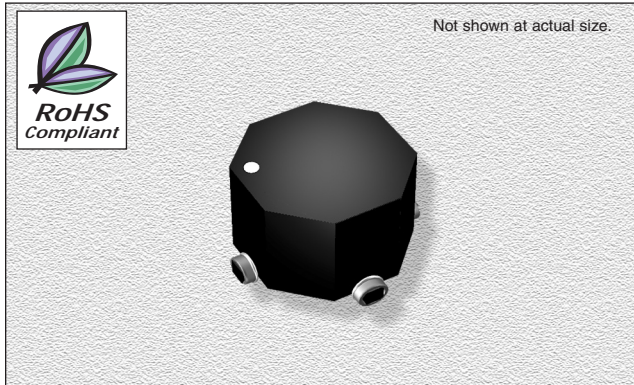


CTCTXF-4P Series

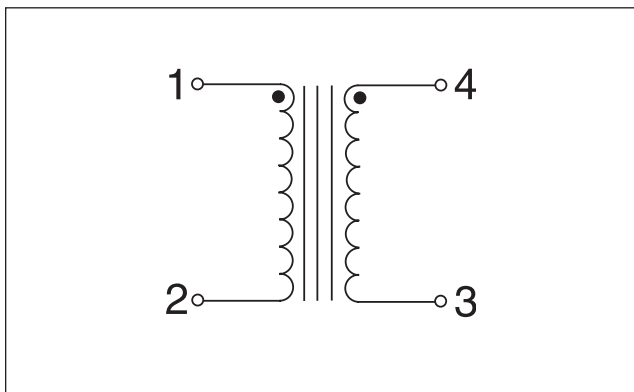
From 0.49 μH to 298.93 μH



CHARACTERISTICS

- Description:** SMD Toroidal Common Mode Choke
- Applications:** Single inductors, 1:1 coupled inductors, & 1:1 isolation transformers
- Operating Temperature:** -40°C to +85°C
- Storage Temperature:** -40°C to +125°C
- Inductance Tolerance:** $\pm 20\%$
- Testing:** Inductance is tested on an HP4285A at 100 kHz
- Packaging:** Tape & Reel
- Marking:** Parts marked with inductance code
- Miscellaneous:** RoHS Compliant.
- Additional Information:** Additional electrical & physical information available upon request
- Samples available.** See website for ordering information.

CONNECTION DIAGRAM



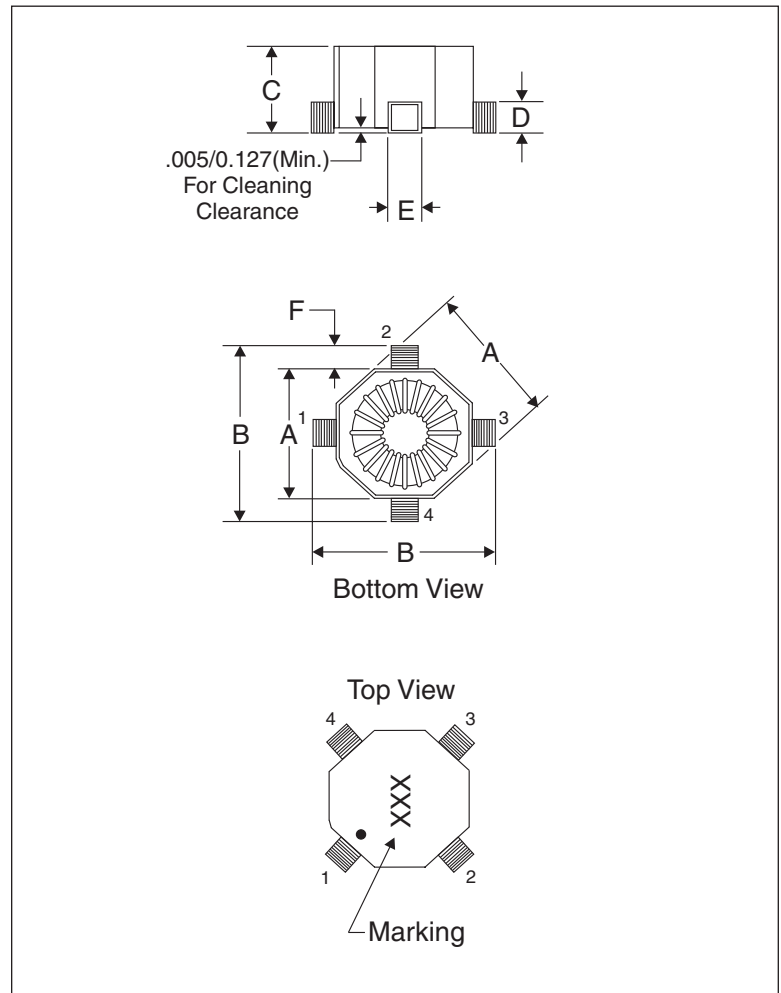
SPECIFICATIONS

Parts are available in $\pm 20\%$ tolerance only.

Part Number	PARALLEL			SERIES		
	OCL ($\mu\text{H} \pm 20\%$)	DCR Max. (Ω)	Full Load Current (A _{dc})	OCL ($\mu\text{H} \pm 20\%$)	DCR Max. (Ω)	Full Load Current (A _{dc})
CTCTXF0.47-4P	0.49	0.005	7.90	1.95	0.019	3.95
CTCTXF0.68-4P	0.76	0.006	7.20	3.05	0.023	3.60
CTCTXF1-4P	1.10	0.008	5.90	4.39	0.033	2.95
CTCTXF2-4P	1.95	0.014	4.60	7.81	0.055	2.30
CTCTXF5-4P	5.15	0.027	3.30	20.62	0.107	1.65
CTCTXF8-4P	7.81	0.033	3.00	31.23	0.131	1.50
CTCTXF10-4P	9.88	0.047	2.50	39.53	0.187	1.25
CTCTXF15-4P	14.76	0.057	2.30	59.05	0.228	1.15
CTCTXF20-4P	20.62	0.084	1.90	82.47	0.337	0.95
CTCTXF25-4P	25.65	0.115	1.60	102.60	0.461	0.80
CTCTXF33-4P	33.21	0.166	1.30	132.86	0.662	0.65
CTCTXF50-4P	48.80	0.201	1.20	195.20	0.805	0.60
CTCTXF68-4P	67.37	0.238	1.10	269.50	0.952	0.55
CTCTXF100-4P	99.09	0.565	0.72	396.38	2.259	0.36
CTCTXF150-4P	149.45	0.696	0.64	597.80	2.784	0.32
CTCTXF200-4P	200.11	0.810	0.60	800.44	3.240	0.30
CTCTXF300-4P	298.93	1.003	0.54	1195.72	4.011	0.27

PHYSICAL DIMENSIONS

Size	A Nom.	B Nom.	C Max.	D Max.	E Max.	F Min.
mm	11.30	13.9	6.90	3.05	3.56	0.762
inches	0.44	0.55	0.27	0.12	0.14	0.03



04.15.08