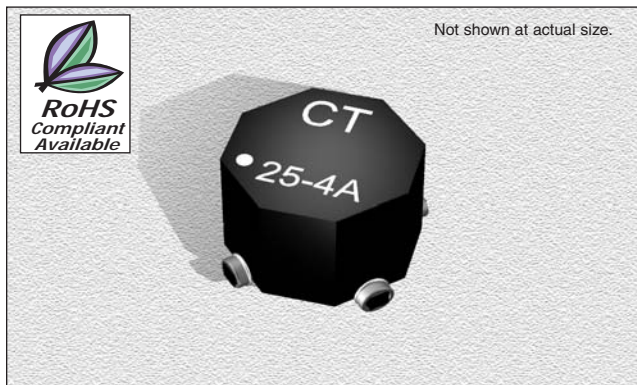


CTCTX-4A Series

From 0.313 μ H to 302.80 μ H

SPECIFICATIONS

Parts are available in $\pm 25\%$ tolerance only.
 CTCTXE---4A Please specify "F" for RoHS compliant.

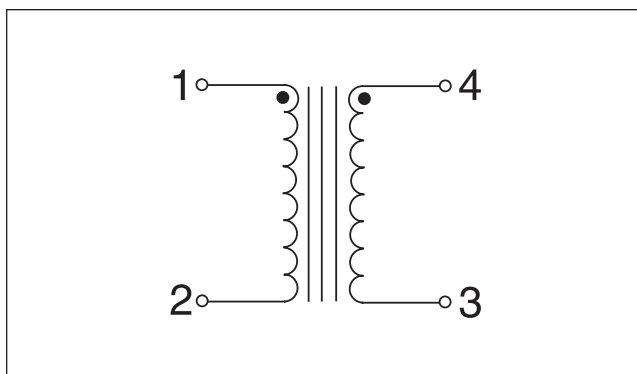


Part Number	PARALLEL			SERIES		
	OCL (μ H $\pm 25\%$)	DCR Typ. (Ω)	I _{rms} (A)	OCL (μ H $\pm 25\%$)	DCR Typ. (Ω)	I _{rms} (A)
CTCTX_0.33-4A	0.313	0.0030	12.2	1.25	0.0119	6.09
CTCTX_0.68-4A	0.744	0.0040	10.6	2.98	0.0158	5.28
CTCTX_1-4A	1.39	0.0052	9.23	5.57	0.0207	4.62
CTCTX_2-4A	2.18	0.0063	8.38	8.70	0.0251	4.19
CTCTX_5-4A	4.26	0.0085	7.21	17.05	0.0339	3.61
CTCTX_8-4A	8.70	0.015	5.49	34.80	0.059	2.74
CTCTX_10-4A	10.53	0.020	4.67	42.11	0.081	2.33
CTCTX_15-4A	14.70	0.029	3.87	58.81	0.117	1.94
CTCTX_20-4A	19.58	0.034	3.62	78.30	0.135	1.81
CTCTX_25-4A	25.14	0.048	3.02	100.51	0.193	1.51
CTCTX_33-4A	34.80	0.071	2.49	139.20	0.283	1.25
CTCTX_50-4A	50.11	0.104	2.05	200.40	0.418	1.03
CTCTX_68-4A	68.21	0.153	1.70	272.80	0.612	0.85
CTCTX_100-4A	100.57	0.235	1.37	402.30	0.939	0.69
CTCTX_150-4A	153.50	0.365	1.10	613.90	1.462	0.55
CTCTX_200-4A	200.40	0.521	0.92	801.80	2.085	0.46
CTCTX_300-4A	302.80	0.787	0.75	1211.00	3.148	0.37

CHARACTERISTICS

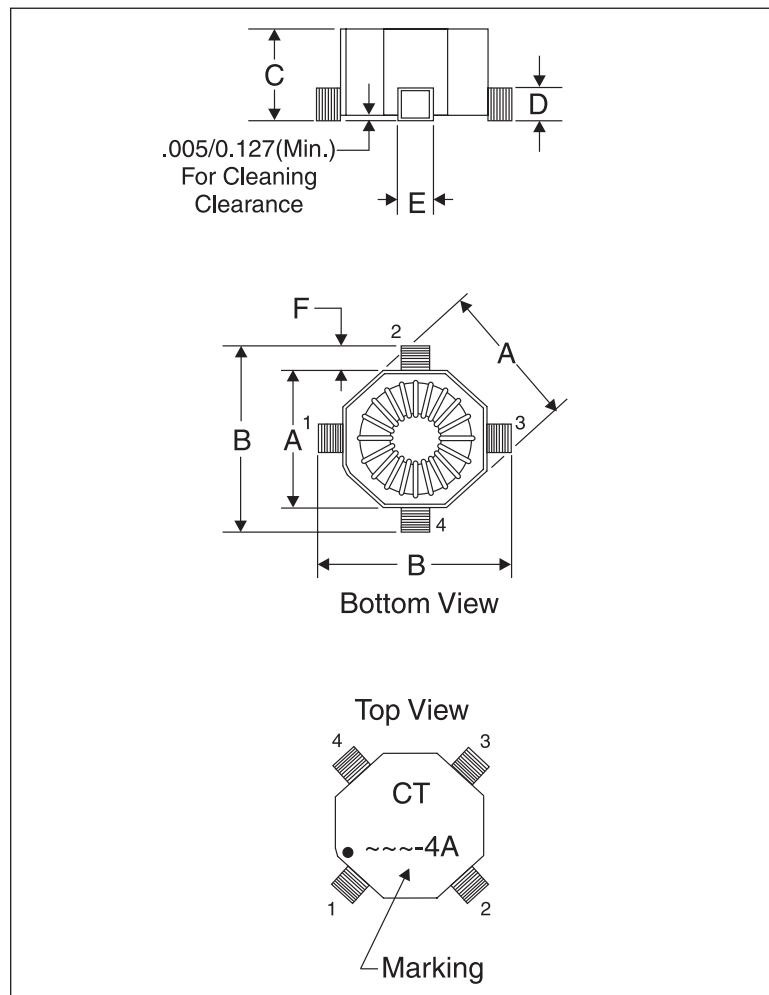
- Description:** SMD 4 Pad Inductors
- Applications:** Single inductors, 1:1 coupled inductors, & 1:1 isolation transformers
- Operating Temperature:** -40°C to +85°C
- Storage Temperature:** -40°C to +125°C
- Inductance Tolerance:** $\pm 25\%$
- Testing:** Inductance is tested on an HP4285A at 100 kHz
- Packaging:** Tape & Reel
- Marking:** Parts marked with inductance code & series type
- Miscellaneous:** RoHS Compliant available.
- Additional Information:** Additional electrical & physical information available upon request
- Samples available.** See website for ordering information.

CONNECTION DIAGRAM



PHYSICAL DIMENSIONS

Size	A	B	C	D	E	F
	Nom.	Nom.	Max.	Max.	Max.	Min.
mm	11.30	13.9	6.90	3.26	3.46	0.762
inches	0.44	0.55	0.27	0.13	0.14	0.03



04.24.06