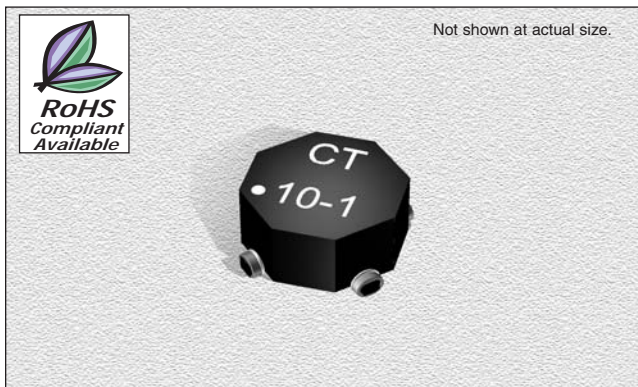


CTCTX-1 Series

From 0.40 μH to 302.50 μH



SPECIFICATIONS

Parts are available in $\pm 20\%$ tolerance only.
 CTCTXE~--1 Please specify "F" for RoHS compliant.

Part Number	PARALLEL			SERIES		
	OCL ($\mu\text{H}\pm 20\%$)	DCR Max. (Ω)	Full Load Current (Adc)	OCL ($\mu\text{H}\pm 20\%$)	DCR Max. (Ω)	Full Load Current (Adc)
CTCTX_0.47-1	0.40	0.005	5.50	1.60	0.020	2.75
CTCTX_0.68-1	0.63	0.006	4.50	2.50	0.024	2.25
CTCTX_1-1	0.90	0.007	4.20	3.60	0.028	2.10
CTCTX_2-1	2.03	0.010	4.10	8.10	0.040	2.05
CTCTX_5-1	4.90	0.030	2.30	19.60	0.122	1.15
CTCTX_8-1	8.10	0.039	2.00	32.40	0.157	1.00
CTCTX_10-1	10.00	0.044	1.90	40.00	0.176	0.95
CTCTX_15-1	14.40	0.080	1.10	57.60	0.319	0.55
CTCTX_20-1	19.60	0.146	1.00	78.40	0.583	0.50
CTCTX_25-1	25.60	0.167	0.74	102.40	0.668	0.37
CTCTX_33-1	32.40	0.293	0.72	129.60	1.171	0.36
CTCTX_50-1	50.63	0.365	0.64	202.50	1.461	0.32
CTCTX_68-1	67.60	0.516	0.54	270.40	2.064	0.27
CTCTX_100-1	99.23	0.784	0.44	396.90	3.137	0.22
CTCTX_150-1	148.23	0.965	0.38	592.90	3.861	0.19
CTCTX_200-1	202.50	1.142	0.37	810.00	4.567	0.19
CTCTX_300-1	302.50	1.431	0.22	1210.00	5.724	0.11

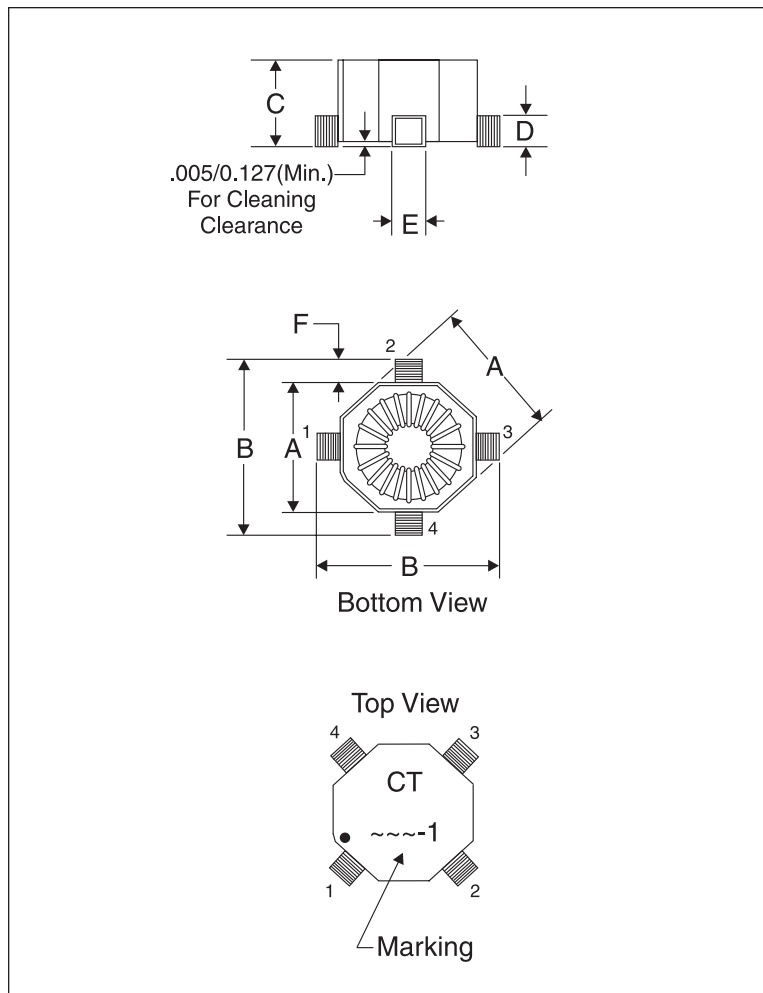
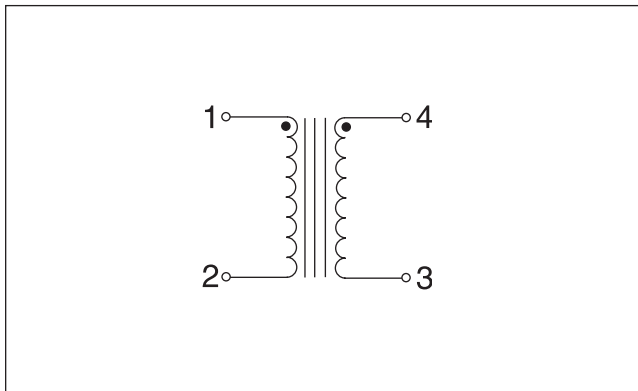
PHYSICAL DIMENSIONS

Size	A Nom.	B Nom.	C Max.	D Max.	E Max.	F Min.
mm	9.0	11.4	5.12	3.05	3.56	0.762
inches	0.35	0.45	0.20	0.12	0.14	0.03

CHARACTERISTICS

- Description:** SMD 4 Pad Inductors
- Applications:** Single inductors, 1:1 coupled inductors, & 1:1 isolation transformers
- Operating Temperature:** -40°C to $+85^{\circ}\text{C}$
- Storage Temperature:** -40°C to $+125^{\circ}\text{C}$
- Inductance Tolerance:** $\pm 20\%$
- Testing:** Inductance is tested on an HP4285A at 100 kHz
- Packaging:** Tape & Reel
- Marking:** Parts marked with inductance code & series type
- Miscellaneous:** RoHS Compliant available.
- Additional Information:** Additional electrical & physical information available upon request
- Samples available.** See website for ordering information.

CONNECTION DIAGRAM



04.24.06



Manufacturer of Inductors, Chokes, Coils, Beads, Transformers & Toroids

800-684-5322 Inside US 949-453-1811 Outside US

Copyright © 2006 by CT Magnetics, DBA Central Technologies. All rights reserved.

CT Magnetics reserves the right to make improvements or change specifications without notice