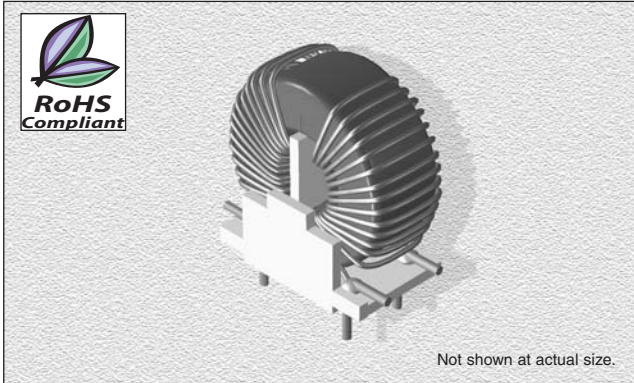


## CTCMS

Toroidal Common Mode Choke

From 0.275 mH to 3.5 mH



### SPECIFICATIONS

Part Number	Inductance Min. (mH)	Current Rating (Amp.)	Leakage Ind. Max. (μH)	DCR Max. (mΩ)	SRF Typ. (MHz)	Lead Dia. Nom. (mm)
CTCMS3213F-1	3.5	1.3	62	150	0.500	1.29
CTCMS3214F-1	1.7	2.0	32	65	0.850	1.29
CTCMS3215F-1	1.0	3.2	22	36	1.250	1.29
CTCMS3216F-1	0.750	5.0	19	22	1.300	1.29
CTCMS3217F-1	0.425	8.1	10	12	1.750	1.29
*CTCMS3218F-1	0.275	13.0	8	8	2.000	1.29

\* = Self Leaded

### CHARACTERISTICS

**Description:** Standard inductance through-hole toroidal inductor.

**Applications:** For use in linear power supply filters, power line filters, as well as the ability to suppress EMI in switch mode supplies.

**Operating Temperature:** -40°C to +85°C

**Testing:** Tested on an HP4284A at 10 kHz 0.25 Vrms

**Electrical Specification:** @ 25°C

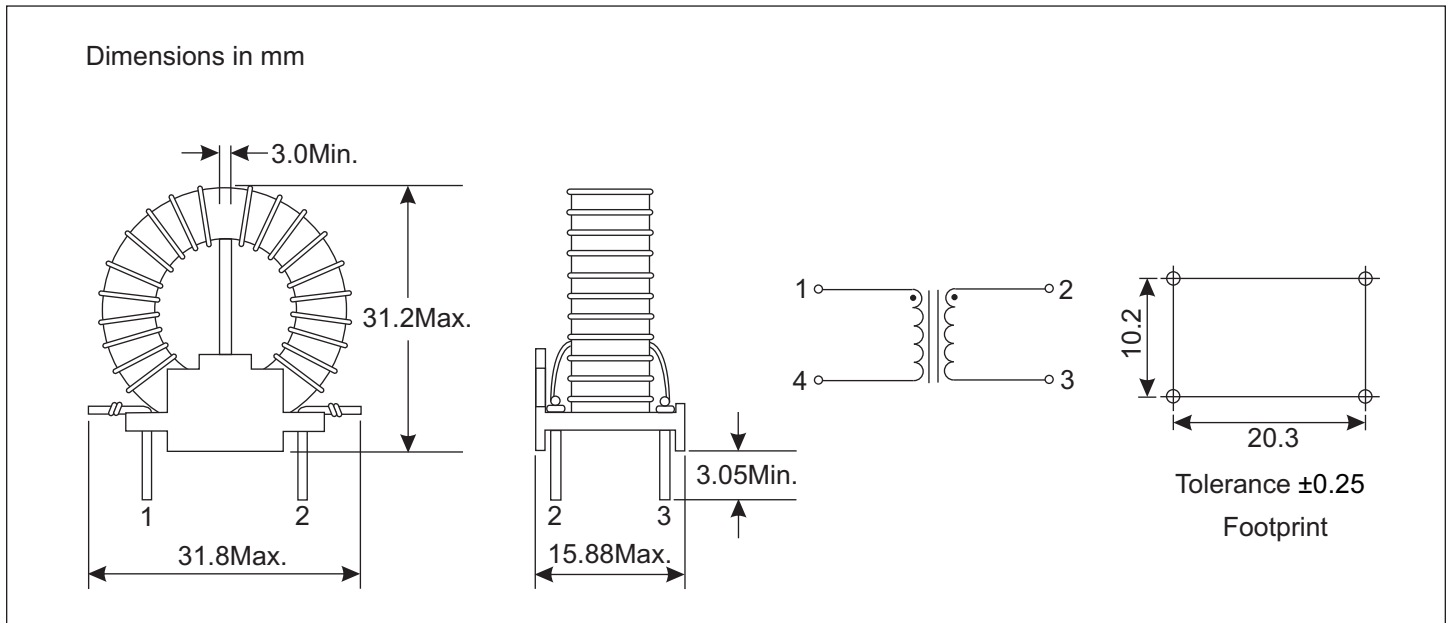
**Header Material:** Plastic - meets UL94V-0

**Insulation Material:** Rates 130°C minimum

**Additional Information:** Additional electrical & physical information available upon request

**Samples available. See website for ordering information.**

### PHYSICAL DIMENSIONS



07.20.15