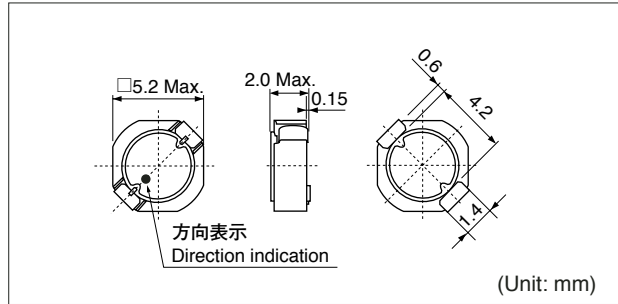
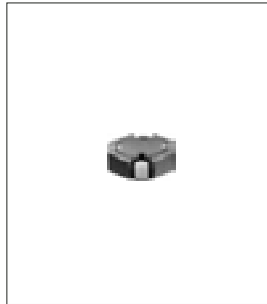


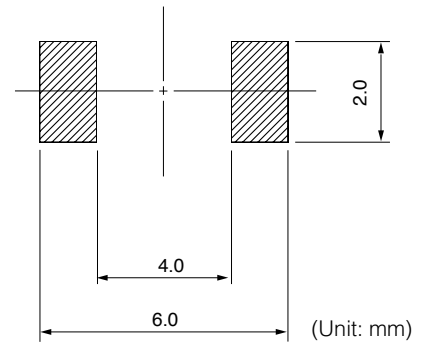
D52LC

Inductance Range: 1.2~100μH

DIMENSIONS / 外形寸法図



Recommended patterns 推奨パターン図



FEATURES / 特長

- Low profile (5.2mm Max. square, 2.0mm Max. height).
- Magnetically shielded construction and low DC resistance.
- Suitable for large currents.
- Ideal for a variety of DC-DC converter inductor applications.
- RoHS compliant.
- 小型薄形構造 (5.2mm角Max.、高さ2.0 mm Max.)
- 閉磁路構造、低直流抵抗
- 大電流対応
- 各種機器のDC-DCコンバータ用インダクタに最適
- RoHS指令対応

SELECTION GUIDE FOR STANDARD COILS

TYPE D52LC (Quantity/reel; 2,000 PCS)

| 東光品番 | インダクタンス ⁽¹⁾ | 許容差 | 直流抵抗 ⁽²⁾ | 直流重量許容電流 ⁽³⁾ | | 温度上昇許容電流 ⁽³⁾ |
|------------------|--------------------------------|---------------|-----------------------------------------------|------------------------------------------------------------|---------------------------|-----------------------------------------------------------------|
| TOKO Part Number | Inductance ⁽¹⁾ (μH) | Tolerance (%) | DC Resistance ⁽²⁾ (mΩ) Max. (Typ.) | Inductance Decrease Current ⁽³⁾ (A) Max. (Typ.) | | Temperature Rise Current ⁽³⁾ ΔT=40°C (A) Max. (Typ.) |
| | | | | $\frac{\Delta L}{L}=10\%$ | $\frac{\Delta L}{L}=30\%$ | |
| #A914BYW-1R2M | 1.2 | ± 20 | 44 (37) | 1.94 (2.59) | 2.15 (2.88) | 2.44 (2.87) |
| #A914BYW-2R2M | 2.2 | ± 20 | 59 (49) | 1.44 (1.93) | 1.63 (2.18) | 1.74 (2.06) |
| #A914BYW-3R5M | 3.5 | ± 20 | 73 (61) | 1.19 (1.59) | 1.34 (1.80) | 1.54 (1.82) |
| #A914BYW-4R7M | 4.7 | ± 20 | 87 (72) | 1.01 (1.35) | 1.14 (1.52) | 1.30 (1.54) |
| #A914BYW-6R8M | 6.8 | ± 20 | 105 (84) | 0.83 (1.11) | 0.95 (1.27) | 1.17 (1.38) |
| #A914BYW-100M | 10.0 | ± 20 | 150 (125) | 0.67 (0.90) | 0.76 (1.03) | 0.93 (1.10) |
| #A914BYW-150M | 15.0 | ± 20 | 210 (175) | 0.56 (0.76) | 0.63 (0.85) | 0.77 (0.91) |
| #A914BYW-220M | 22.0 | ± 20 | 275 (230) | 0.49 (0.66) | 0.56 (0.75) | 0.70 (0.83) |
| #A914BYW-330M | 33.0 | ± 20 | 455 (375) | 0.39 (0.53) | 0.44 (0.59) | 0.51 (0.61) |
| #A914BYW-470M | 47.0 | ± 20 | 730 (605) | 0.32 (0.43) | 0.36 (0.49) | 0.38 (0.45) |
| #A914BYW-680M | 68.0 | ± 20 | 935 (780) | 0.26 (0.35) | 0.30 (0.41) | 0.35 (0.42) |
| #A914BY-101M | 100.0 | ± 20 | 1500 (1250) | 0.20 (0.28) | 0.23 (0.32) | 0.26 (0.31) |

(1) Inductance is measured with a LCR meter 4284A (Agilent Technologies) or equivalent. Test frequency at 100kHz

(2) DC resistance is measured with a Digital Multimeter TR6871 (Advantest) or equivalent.

(3) Maximum allowable DC current is that which causes a 30% inductance reduction from the initial value, or coil temperature to rise by 40°C, whichever is smaller. (Reference ambient temperature 20°C)

(1) インダクタンスはLCRメータ4284A (Agilent Technologies) または同等品により測定する。測定周波数は100kHzです。

(2) 直流抵抗はデジタルマルチメータTR6871 (Advantest) または同等品により測定する。

(3) 最大許容電流は、直流重量電流を流した時インダクタンスの値が初期値より30%減少する直流電流値、または直流電流により、コイルの温度が40°C上昇の何れか小さい値です。(周囲温度20°Cを基準とする。)