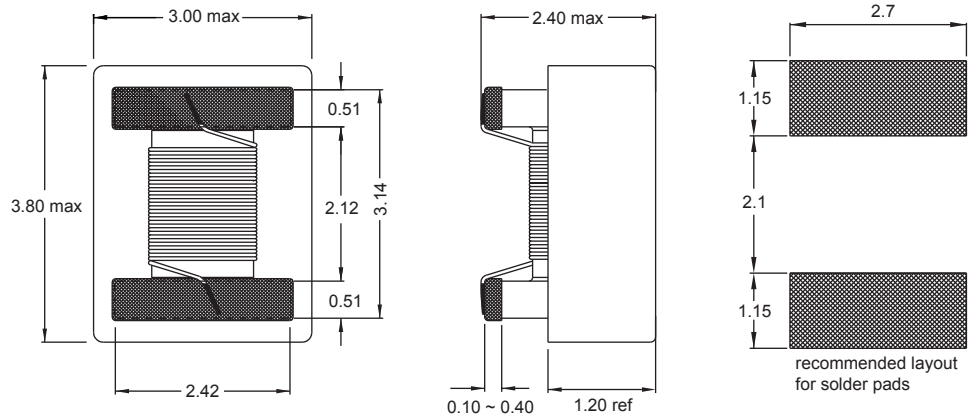
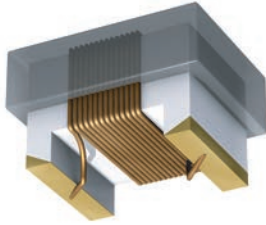
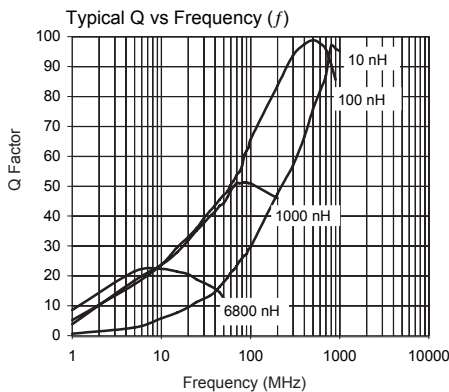
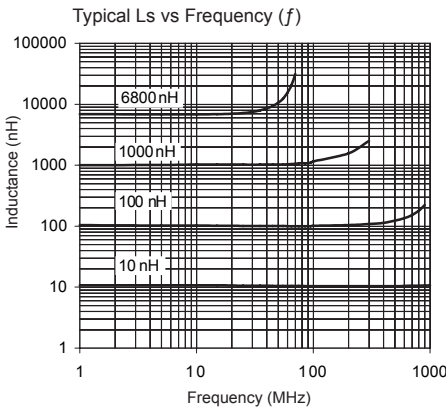
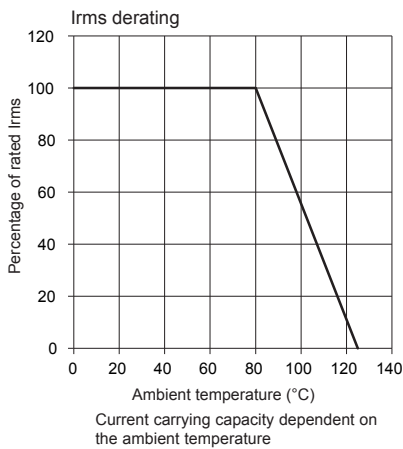


1210 AS

Engineer's Kit : EK-1210AS-X



Chip Inductors for RF Applications (Wire wound -open)



Single layer (typ)

| Part No | Inductance | f _L | Tol | Q | f _Q | SRF | DCR max | Rated DC Current max |
|----------------|------------|----------------|-------|-----|----------------|----------|---------|----------------------|
| | L (nH) | (MHz) | ± (%) | min | (MHz) | (MHz) | (Ω) | (mA) |
| 1210AS-010K-YY | 10 | 50 | 10 | 50 | 500 | 4100 min | 0.08 | 1000 |
| 1210AS-012K-YY | 12 | 50 | 10 | 50 | 500 | 2400 min | 0.09 | 1000 |
| 1210AS-015K-YY | 15 | 50 | 10 | 50 | 500 | 2400 min | 0.10 | 1000 |
| 1210AS-018K-YY | 18 | 50 | 10 | 50 | 350 | 2400 min | 0.11 | 1000 |
| 1210AS-022K-YY | 22 | 50 | 10 | 55 | 350 | 2400 min | 0.12 | 1000 |
| 1210AS-027J-YY | 27 | 50 | 5 | 55 | 350 | 1800 min | 0.13 | 1000 |
| 1210AS-033J-YY | 33 | 50 | 5 | 60 | 350 | 1600 min | 0.14 | 1000 |
| 1210AS-039J-YY | 39 | 50 | 5 | 60 | 350 | 1500 min | 0.15 | 1000 |
| 1210AS-047J-YY | 47 | 50 | 5 | 65 | 350 | 1200 min | 0.16 | 1000 |
| 1210AS-056J-YY | 56 | 50 | 5 | 65 | 350 | 1200 min | 0.16 | 1000 |
| 1210AS-068J-YY | 68 | 50 | 5 | 65 | 350 | 1000 min | 0.20 | 1000 |
| 1210AS-082J-YY | 82 | 50 | 5 | 60 | 350 | 1000 min | 0.22 | 1000 |
| 1210AS-R10J-YY | 100 | 25 | 5 | 60 | 350 | 1000 min | 0.24 | 980 |
| 1210AS-R12J-YY | 120 | 25 | 5 | 60 | 350 | 850 min | 0.26 | 920 |
| 1210AS-R15J-YY | 150 | 25 | 5 | 50 | 100 | 750 min | 0.29 | 870 |
| 1210AS-R18J-YY | 180 | 25 | 5 | 50 | 100 | 700 min | 0.31 | 830 |
| 1210AS-R22J-YY | 220 | 25 | 5 | 50 | 100 | 650 min | 0.35 | 790 |
| 1210AS-R27J-YY | 270 | 25 | 5 | 45 | 100 | 600 min | 0.42 | 730 |
| 1210AS-R33J-YY | 330 | 25 | 5 | 45 | 100 | 500 min | 0.49 | 680 |
| 1210AS-R37J-YY | 370 | 25 | 5 | 45 | 100 | 500 min | 0.52 | 610 |
| 1210AS-R39J-YY | 390 | 25 | 5 | 45 | 100 | 500 min | 0.54 | 640 |
| 1210AS-R47J-YY | 470 | 25 | 5 | 45 | 100 | 450 min | 0.60 | 610 |
| 1210AS-R56J-YY | 560 | 25 | 5 | 45 | 100 | 415 min | 1.00 | 460 |
| 1210AS-R68J-YY | 680 | 25 | 5 | 45 | 100 | 350 min | 1.15 | 420 |
| 1210AS-R82J-YY | 820 | 25 | 5 | 45 | 100 | 350 min | 1.93 | 350 |
| 1210AS-1R0K-YY | 1000 | 25 | 10 | 35 | 50 | 290 typ | 2.16 | 330 |
| 1210AS-1R2K-YY | 1200 | 7.9 | 10 | 35 | 50 | 250 typ | 2.38 | 310 |
| 1210AS-1R5K-YY | 1500 | 7.9 | 10 | 25 | 50 | 200 typ | 2.64 | 300 |
| 1210AS-1R8K-YY | 1800 | 7.9 | 10 | 25 | 50 | 160 typ | 2.76 | 290 |
| 1210AS-2R2K-YY | 2200 | 7.9 | 10 | 25 | 50 | 160 typ | 2.98 | 280 |
| 1210AS-2R7K-YY | 2700 | 7.9 | 10 | 25 | 25 | 140 typ | 3.30 | 260 |
| 1210AS-3R3K-YY | 3300 | 7.9 | 10 | 25 | 25 | 120 typ | 3.66 | 250 |
| 1210AS-3R9K-YY | 3900 | 7.9 | 10 | 20 | 25 | 100 typ | 4.00 | 240 |
| 1210AS-4R7K-YY | 4700 | 7.9 | 10 | 20 | 25 | 90 typ | 4.30 | 230 |
| 1210AS-5R6K-YY | 5600 | 7.9 | 10 | 15 | 25 | 60 typ | 4.30 | 230 |
| 1210AS-6R8K-YY | 6800 | 7.9 | 10 | 15 | 25 | 60 typ | 5.20 | 210 |
| 1210AS-8R2K-YY | 8200 | 7.9 | 10 | 17 | 7.9 | 45 typ | 5.90 | 168 |
| 1210AS-100K-YY | 10000 | 7.9 | 10 | 17 | 7.9 | 38 typ | 6.00 | 160 |
| 1210AS-150K-YY | 15000 | 7.9 | 10 | 15 | 7.9 | 20 typ | 7.00 | 120 |

Core Material : Ceramic

Revision date : 25 Aug 2014

SPQ : Taped / Reel 800 [-01]
3000 [-04]

Remarks:

- For not listed inductance values please check availability with us.
- 2% and 5% tolerance available on request.
- This series is also available as non-magnetic, part numbering ASM.